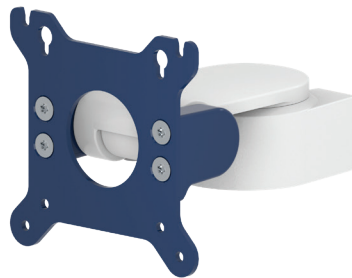


# Flush mount



**Monitor adaption**

VESA 75/100

**Colours to choose**

decorative parts RAL 5013 cobalt blue / RAL 7024 graphite grey  
 aluminum parts RAL 9016 traffic white / RAL 9002 grey white

**Max. load capacity support arm**

18 kg / 39.7 lbs

**Max. load monitor adaptation**

18 kg / 39.7 lbs

**Product weight**

1 kg / 2.2 lbs

**Part number**

S-910G-Y.CD VESA 75/100  
 S-910GS-Y.CD VESA 75/100 rotatable

## Fixings

Y | details page 29



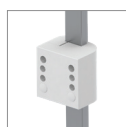
4V

Adapter for vertical wall channel



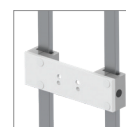
2F

Fixed rail clamp



3

Vertical rail clamp



3DR  
3TX

Dual vertical rail clamp



1  
1B  
1F  
1C  
1V

Fixed / universal pole clamp



13

Adapter for Mindray medical supply units



17

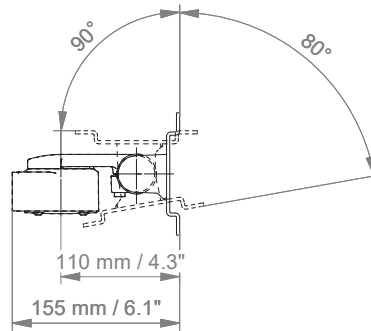
Adapter for Amico pendants & headwalls

# Flush mount

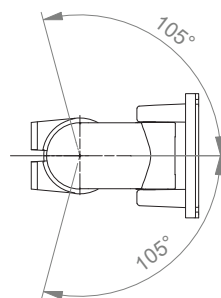
## Technical data

---

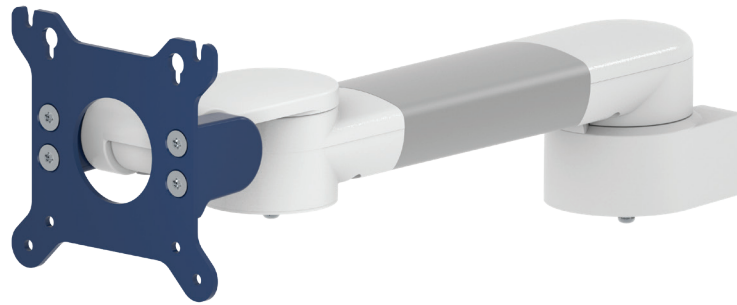
### SIDE VIEW



### TOP VIEW



# Support arm pivot



<b>Monitor adaption</b>	VESA 75/100		
<b>Colours to choose</b>	decorative parts	RAL 5013 cobalt blue / RAL 7024 graphite grey	
	aluminum parts	RAL 9016 traffic white / RAL 9002 grey white	
<b>Max. load capacity support arm</b>	18 kg / 39.7 lbs		
<b>Max. load monitor adaptation</b>	18 kg / 39.7 lbs		
<b>Product weight</b>	arm type 240	arm type 300	
	1.8 kg / 4.0 lbs	1.9 kg / 4.2 lbs	
<b>Part number</b>	arm type 240	arm type 300	
	A-224G-Y.CD	A-230G-Y.CD	VESA 75/100
	A-224GS-Y.CD	A-230GS-Y.CD	VESA 75/100 rotatable

## Fixings

Y | details page 29 and 30



4V

Adapter for vertical wall channel



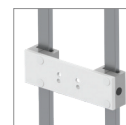
2F

Fixed rail clamp



3

Vertical rail clamp



3DR  
3TX

Dual vertical rail clamp



1  
1B  
1F  
1C  
1V

Fixed / universal pole clamp



13

Adapter for Mindray medical supply units



17

Adapter for Amico pendants & headwalls



9

Adapter for Löwenstein Medical anaesthesia machines



4K

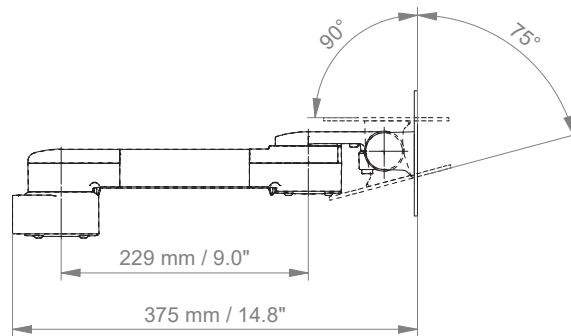
Adapter for anaesthesia machines with existing side channel

# Support arm pivot

Technical data - arm type 300

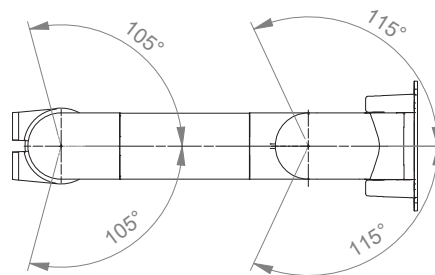
---

SIDE VIEW

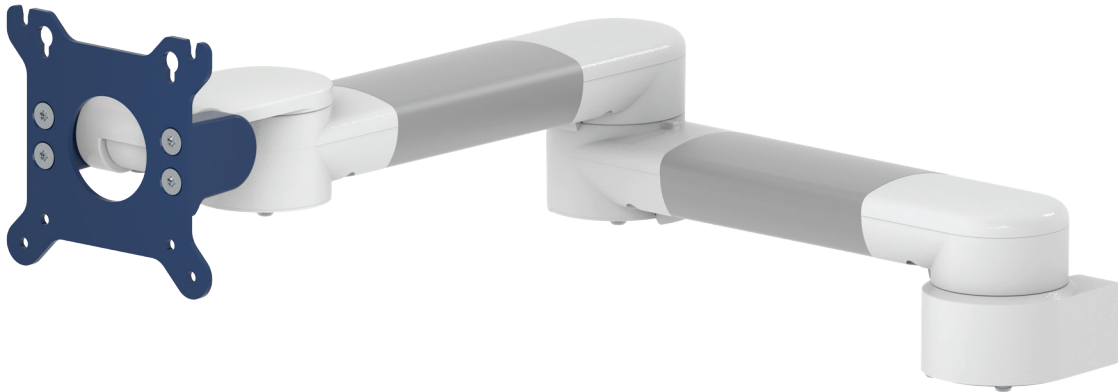


---

TOP VIEW



# Extended pivot arm light duty



**Monitor adaption**

VESA 75/100

**Colours to choose**

decorative parts RAL 5013 cobalt blue / RAL 7024 graphite grey  
 aluminum parts RAL 9016 traffic white / RAL 9002 grey white

**Max. load capacity support arm**

8 kg / 17.6 lbs

**Max. load monitor adaptation**

8 kg / 17.6 lbs

**Product weight**

2.8 kg / 6.2 lbs

**Part number**

A-33030G-Y.CD VESA 75/100  
 A-33030GS-Y.CD VESA 75/100 rotatable

## Fixings

Y | details page 29 and 30



4V

Adapter for vertical wall channel



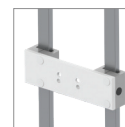
2F

Fixed rail clamp



3

Vertical rail clamp



3DR  
3TX

Dual vertical rail clamp



1  
1B  
1F  
1C  
1V

Fixed / universal pole clamp



13

Adapter for Mindray medical supply units



17

Adapter for Amico pendants & headwalls



9

Adapter for Löwenstein Medical anaesthesia machines



4K

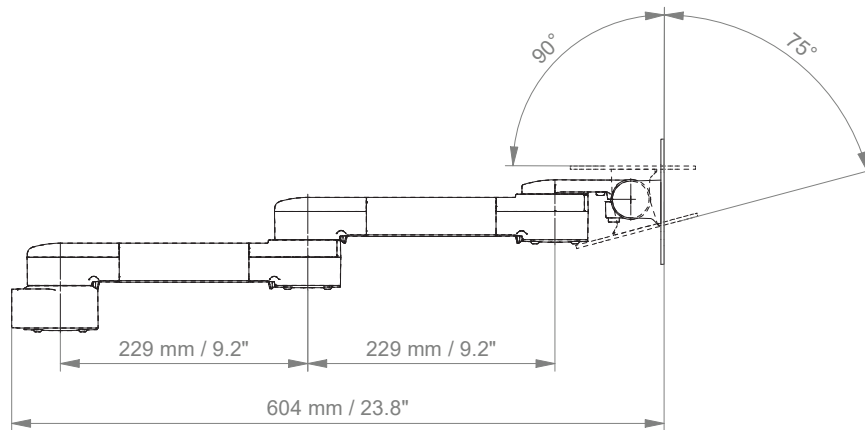
Adapter for anaesthesia machines with existing side channel

# Extended pivot arm light duty

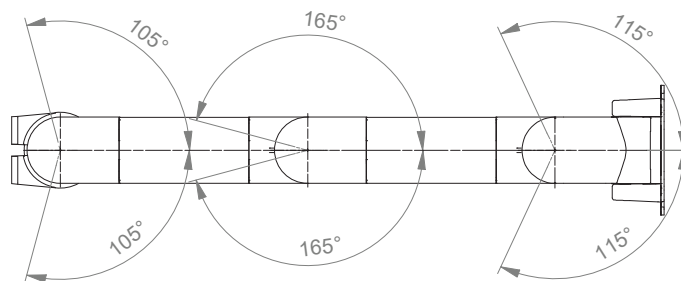
## Technical data

---

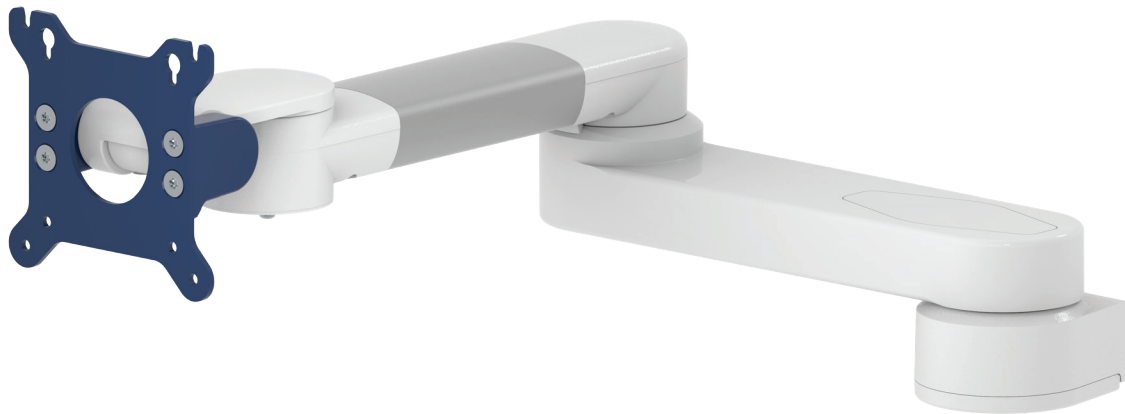
### SIDE VIEW



### TOP VIEW



# Extended pivot arm heavy duty



<b>Monitor adaption</b>	VESA 75/100
<b>Colours to choose</b>	decorative parts RAL 5013 cobalt blue / RAL 7024 graphite grey aluminum parts RAL 9016 traffic white / RAL 9002 grey white
<b>Max. load capacity support arm</b>	18 kg / 39.7 lbs
<b>Max. load monitor adaptation</b>	18 kg / 39.7 lbs
<b>Product weight</b>	3.1 kg / 6.8 lbs
<b>Part number</b>	A-H33030G-Y.CD VESA 75/100 A-H33030GS-Y.CD VESA 75/100 rotatable

## Fixings

Y | details page 29 and 30



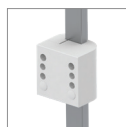
4V

Adapter for vertical wall channel



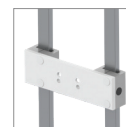
2F

Fixed rail clamp



3

Vertical rail clamp



3DR  
3TX

Dual vertical rail clamp



1  
1B  
1F  
1C  
1V

Fixed / universal pole clamp



13

Adapter for Mindray medical supply units



17

Adapter for Amico pendants & headwalls



9

Adapter for Löwenstein Medical anaesthesia machines



4K

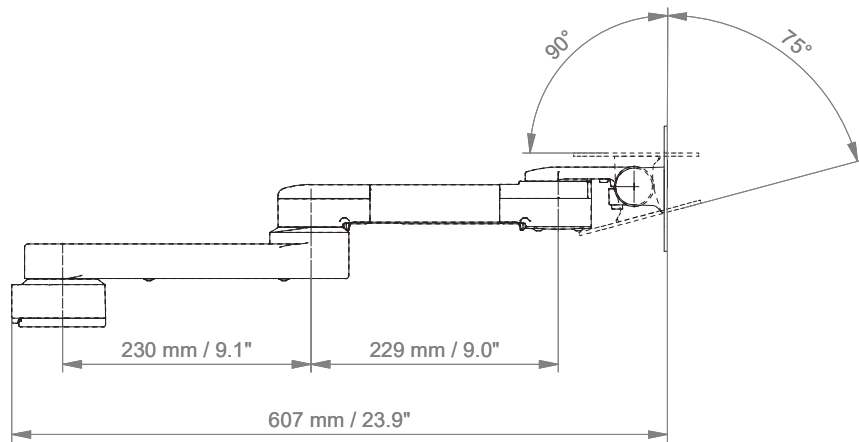
Adapter for anaesthesia machines with existing side channel

# Extended pivot arm heavy duty

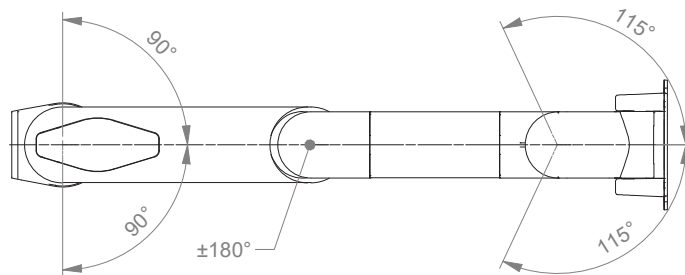
## Technical data

---

### SIDE VIEW

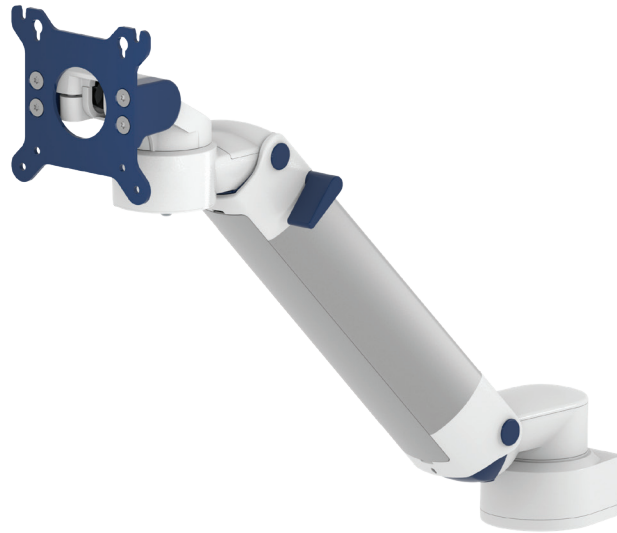


### TOP VIEW





# Height adjustable arm



<b>Monitor adaption</b>	VESA 75/100
<b>Height adjustment</b>	slow-flowing spring, parallel linkage for a constant viewing angle
<b>Colours to choose</b>	decorative parts RAL 5013 cobalt blue / RAL 7024 graphite grey aluminum parts RAL 9016 traffic white / RAL 9002 grey white
<b>Max. load capacity support arm</b>	22 kg / 48.5 lbs
<b>Max. load monitor adaptation</b>	18 kg / 39.7 lbs
<b>Product weight</b>	3.3 kg / 7.3 lbs
<b>Balancing range</b>	600 N (2-5 kg / 4.4-11 lbs); 950 N (4-9 kg / 8.8-19.8 lbs); 1300 N (7.5-13 kg / 16.5-28.7 lbs); 1750 N (13-16 kg / 28.7-35.3 lbs); 2200 N (16-22 kg / 35.3-48.5 lbs)
<b>Part number</b>	A-431G-Y.CD_X VESA 75/100 A-431GS-Y.CD_X VESA 75/100 rotatable

## Fixings

Y | details page 29 and 30



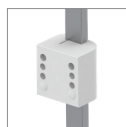
4V

Adapter for vertical wall channel



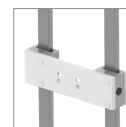
2F

Fixed rail clamp



3

Vertical rail clamp



3DR  
3TX

Dual vertical rail clamp



1  
1B  
1F  
1C  
1V

Fixed / universal pole clamp



13

Adapter for Mindray medical supply units



17

Adapter for Amico pendants & headwalls



9

Adapter for Löwenstein Medical anaesthesia machines



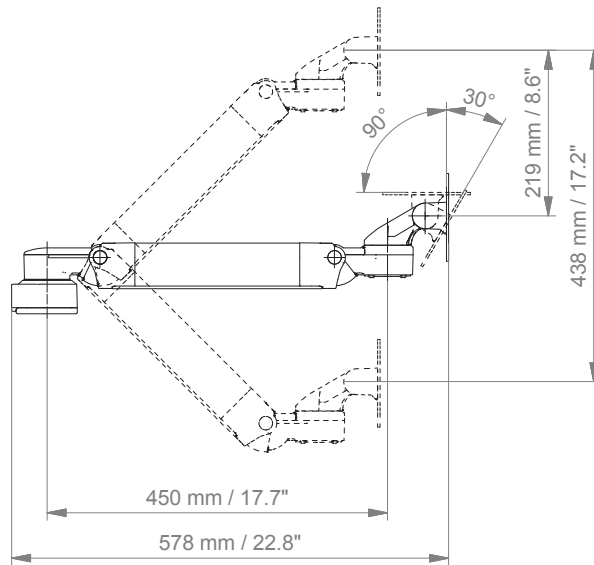
4K

Adapter for anaesthesia machines with existing side channel

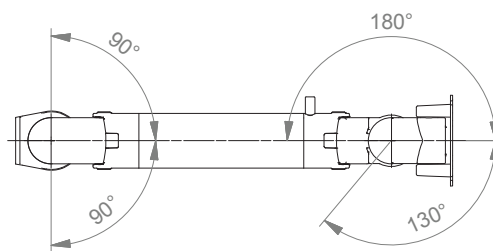
# Height adjustable arm

## Technical data

### SIDE VIEW



### TOP VIEW



# Extended height adjustable arm



<b>Monitor adaption</b>	VESA 75/100
<b>Height adjustment</b>	slow-flowing spring, parallel linkage for a constant viewing angle
<b>Colours to choose</b>	decorative parts    RAL 5013 cobalt blue / RAL 7024 graphite grey aluminum parts    RAL 9016 traffic white / RAL 9002 grey white
<b>Max. load capacity support arm</b>	22 kg / 48.5 lbs
<b>Max. load monitor adaptation</b>	18 kg / 39.7 lbs
<b>Product weight</b>	4.8 kg / 10.6 lbs
<b>Balancing range</b>	600 N (2-5 kg / 4.4-11 lbs); 950 N (4-9 kg / 8.8-19.8 lbs); 1300 N (7.5-13 kg / 16.5-28.7 lbs); 1750 N (13-16 kg / 28.7-35.3 lbs); 2200 N (16-22 kg / 35.3-48.5 lbs)
<b>Part number</b>	A-73130G-Y.CD_X    VESA 75/100 A-73130GS-Y.CD_X    VESA 75/100 rotatable

## Fixings

Y | details page 29 and 30



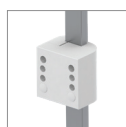
4V

Adapter for vertical wall channel



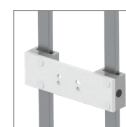
2F

Fixed rail clamp



3

Vertical rail clamp



3DR  
3TX

Dual vertical rail clamp



1  
1B  
1F  
1C  
1V

Fixed / universal pole clamp



13

Adapter for Mindray medical supply units



17

Adapter for Amico pendants & headwalls



9

Adapter for Löwenstein Medical anaesthesia machines



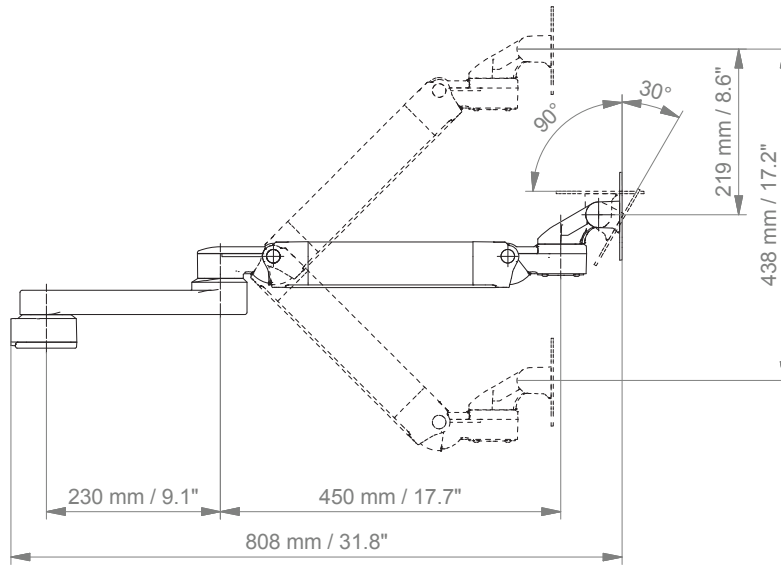
4K

Adapter for anaesthesia machines with existing side channel

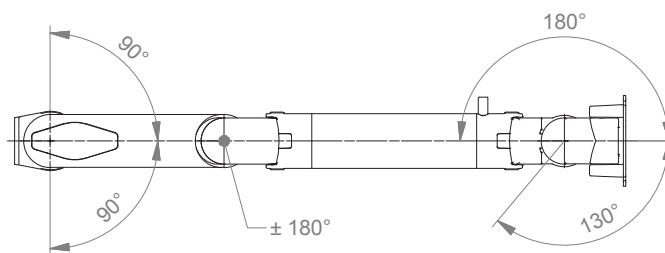
# Extended height adjustable arm

## Technical data

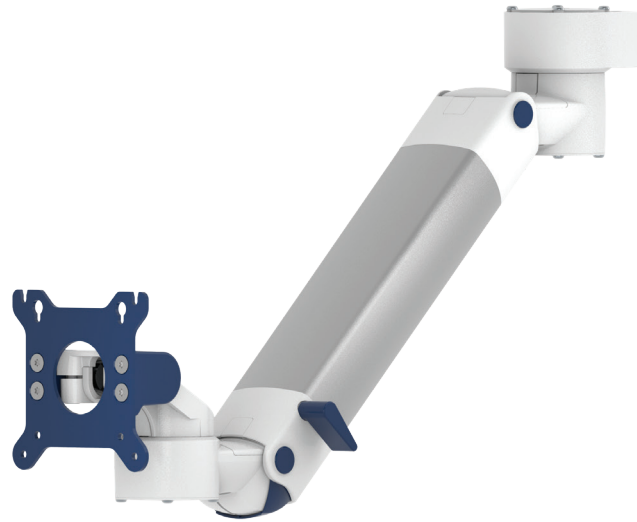
### SIDE VIEW



### TOP VIEW



# High position height adjustable arm



<b>Monitor adaption</b>	VESA 75/100
<b>Height adjustment</b>	slow-flowing spring, parallel linkage for a constant viewing angle
<b>Colours to choose</b>	decorative parts RAL 5013 cobalt blue / RAL 7024 graphite grey aluminum parts RAL 9016 traffic white / RAL 9002 grey white
<b>Max. load capacity support arm</b>	22 kg / 48.5 lbs
<b>Max. load monitor adaption</b>	18 kg / 39.7 lbs
<b>Product weight</b>	3.8 kg / 8.4 lbs
<b>Balancing range</b>	600 N (2-5 kg / 4.4-11 lbs ); 950 N (4-9 kg / 8.8-19.8 lbs); 1300 N (7.5-13 kg / 16.5-28.7 lbs); 1750 N (13-16 kg / 28.7-35.3 lbs); 2200 N (16-22 kg / 35.3-48.5 lbs)
<b>Part number</b>	A-531G-Y.CD_X VESA 75/100 A-531GS-Y.CD_X VESA 75/100 rotatable

## Fixings

Y | details page 29



4U

Adapter for vertical wall channel



3

Vertical rail clamp



3DR  
3TX

Dual vertical rail clamp



1  
1F  
1C  
1V

Fixed / universal pole clamp



13

Adapter for Mindray medical supply units



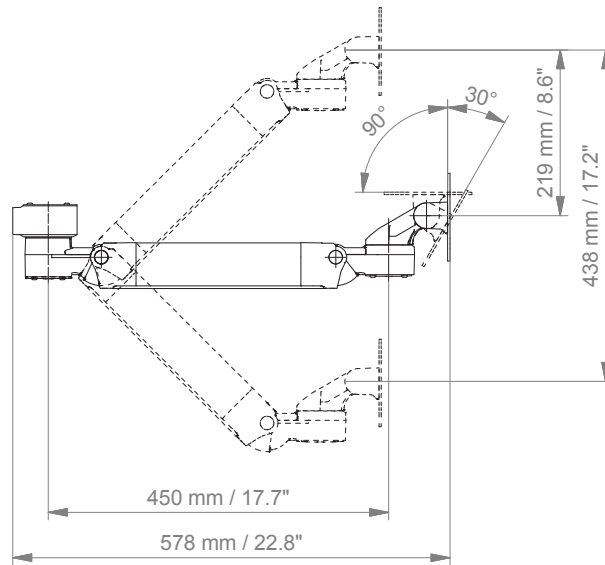
17

Adapter for Amico pendants & headwalls

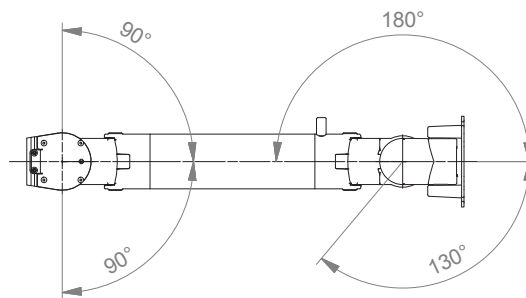
# High position height adjustable arm

## Technical data

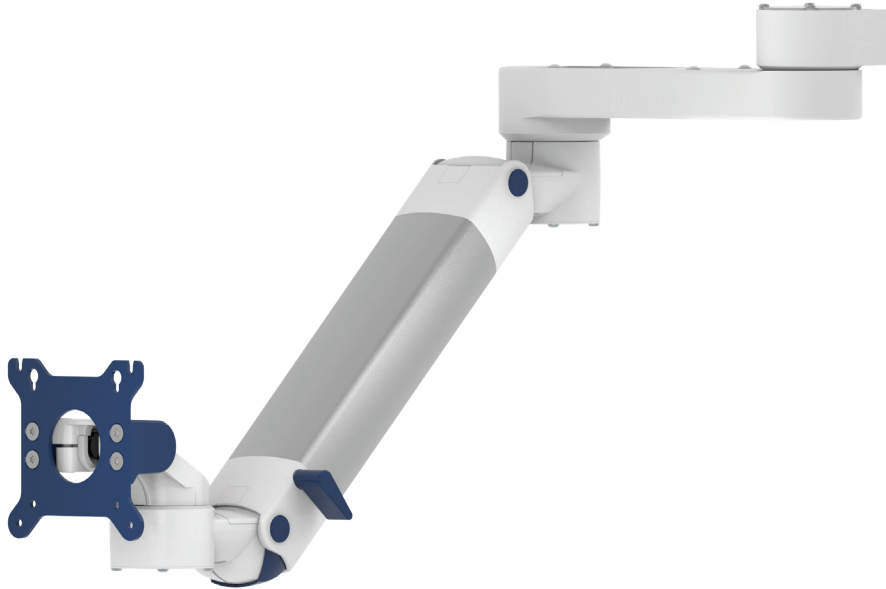
### SIDE VIEW



### TOP VIEW



# Extended high position height adjustable arm



<b>Monitor adaption</b>	VESA 75/100
<b>Height adjustment</b>	slow-flowing spring, parallel linkage for a constant viewing angle
<b>Colours to choose</b>	decorative parts    RAL 5013 cobalt blue / RAL 7024 graphite grey aluminum parts    RAL 9016 traffic white / RAL 9002 grey white
<b>Max. load capacity support arm</b>	22 kg / 48.5 lbs
<b>Max. load monitor adaption</b>	18 kg / 39.7 lbs
<b>Product weight</b>	5.2 kg / 11.5 lbs
<b>Balancing range</b>	600 N (2-5 kg / 4.4-11 lbs); 950 N (4-9 kg / 8.8-19.8 lbs); 1300 N (7.5-13 kg / 16.5-28.7 lbs); 1750 N (13-16 kg / 28.7-35.3 lbs); 2200 N (16-22 kg / 35.3-48.5 lbs)
<b>Part number</b>	A-83130G-Y.CD_X    VESA 75/100 A-83130GS-Y.CD_X    VESA 75/100 rotatable

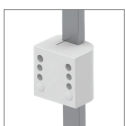
## Fixings

Y | details page 29



4U

Adapter for vertical wall channel



3

Vertical rail clamp



3DR  
3TX

Dual vertical rail clamp



1  
1F  
1C  
1V

Fixed / universal pole clamp



13

Adapter for Mindray medical supply units



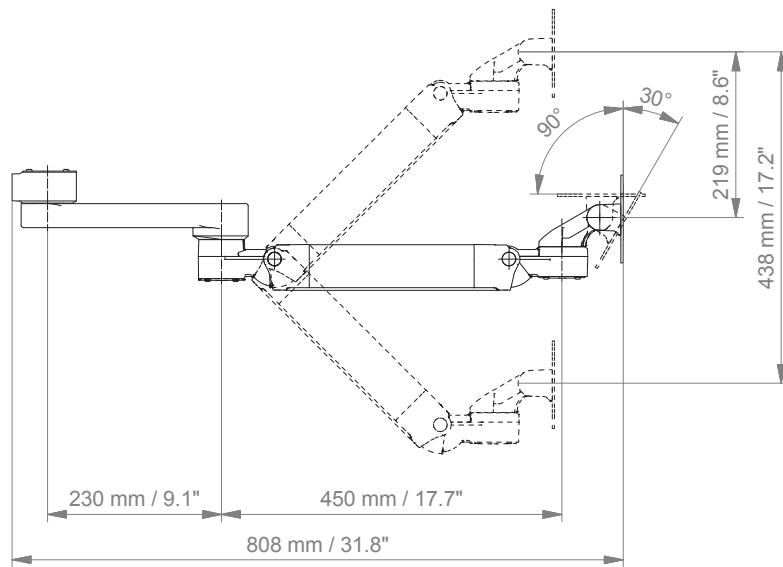
17

Adapter for Amico pendants & headwalls

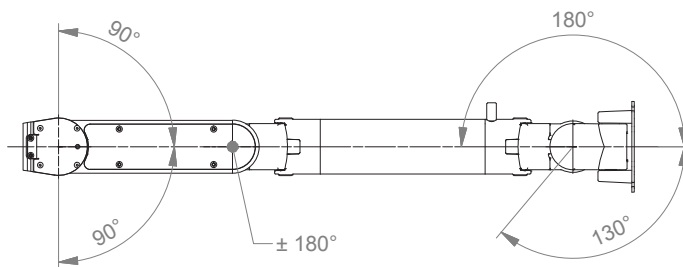
# Extended high position height adjustable arm

## Technical data

### SIDE VIEW



### TOP VIEW





# Counter top



**Monitor adaption**

VESA 75/100

**Colours to choose**

decorative parts RAL 5013 cobalt blue / RAL 7024 graphite grey  
 aluminum parts RAL 9016 traffic white / RAL 9002 grey white

**Max. load monitor adaptation**

18 kg / 39.7 lbs

**Part number**

Counter top with base plate to mount to desk or even surfaces

- T-HG-60.CD\_220 height 220 mm / 8.7"
- T-HG-60.CD\_280 height 280 mm / 11"
- T-HG-60.CD\_340 height 340 mm / 13.4"

Counter top free-standing (see illustration)

- T-HG-62.CD\_220 height 220 mm / 8.7"
- T-HG-62.CD\_280 height 280 mm / 11"
- T-HG-62.CD\_340 height 340 mm / 13.4"

Counter top without base plate

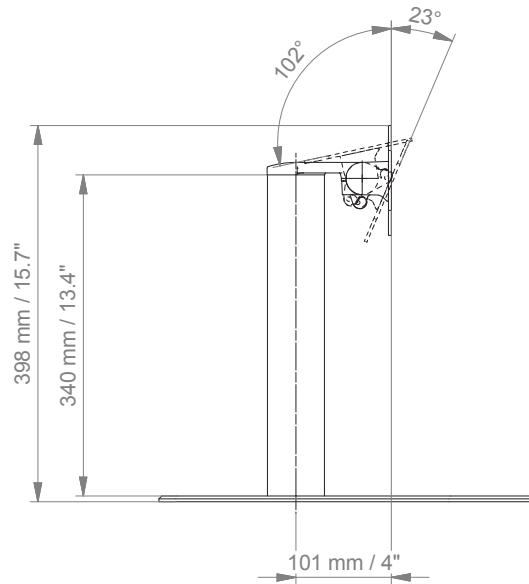
- T-HG-69.CD\_220 height 220 mm / 8.7"
- T-HG-69.CD\_280 height 280 mm / 11"
- T-HG-69.CD\_340 height 340 mm / 13.4"

**!** All free-standing counter tops have to be tip-tested for stability depending on the weight of the monitor!

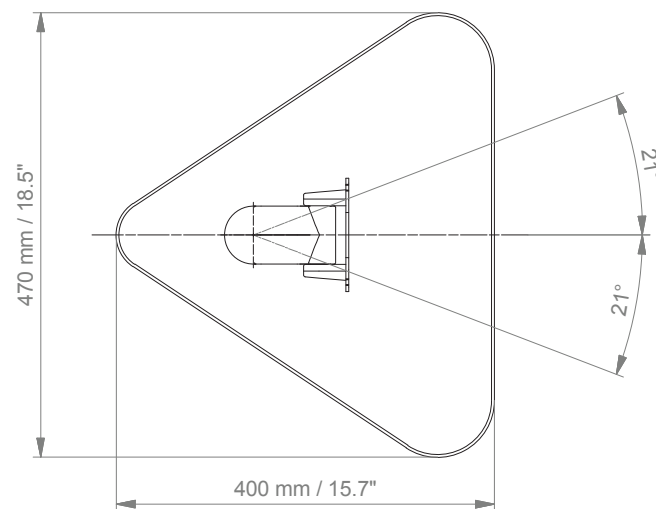
# Counter top

## Technical data - free standing

### SIDE VIEW



### TOP VIEW



# Counter top for deep monitors



**Monitor adaption**

CL-bracket, VESA 75/100

**Colours to choose**

decorative parts RAL 5013 cobalt blue / RAL 7024 graphite grey  
 aluminum parts RAL 9016 traffic white / RAL 9002 grey white

**Max. load monitor adaptation**

18 kg / 39.7 lbs

**Part number**

Counter top with base plate  
 to mount to desk or even surfaces (see illustration)  
 T-HK-60.CD\_50

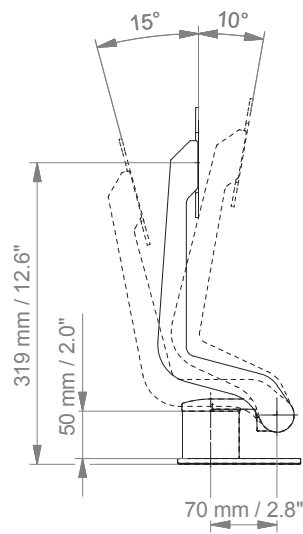
Counter top free-standing  
 T-HK-62.CD\_50

**!** All free-standing counter tops have to be tip-tested for stability depending on the weight of the monitor!

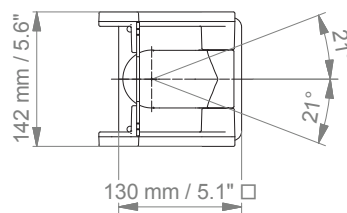
# Counter top for deep monitors

Technical data - with base plate

SIDE VIEW



TOP VIEW



# Cart light duty



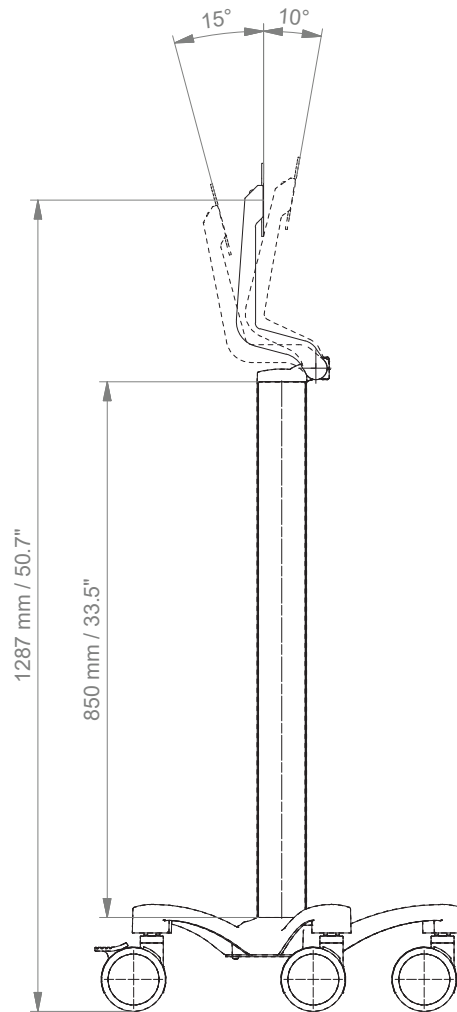
<b>Monitor adaption</b>	CL-bracket, VESA 75/100	
<b>Accessories</b>	5-star base aluminum base with counter weight double wheel castors, $\varnothing$ 100 mm / 3.9", 2 lockable column to accept components and accessories on opposite sides	
<b>Colours to choose</b>	decorative parts RAL 5013 blue / RAL 7024 graphite grey base RAL 9016 pure white / RAL 5013 blue handle RAL 9016 pure white / RAL 5013 blue / RAL 7024 graphite grey	
<b>Max. load capacity</b>	10 kg / 22 lbs	
<b>Optional accessories</b>	basket big 300 x 200 x 180 mm / 11.8 x 7.9 x 7.1" basket small 200 x 150 x 100 mm / 7.9 x 5.9 x 3.9" handle	
<b>Part number</b>	cart	R-002K.CD
	basket big	Z-51-4Z
	basket small	Z-52-4Z
	handle	Z-HD-4.C1

# Cart light duty

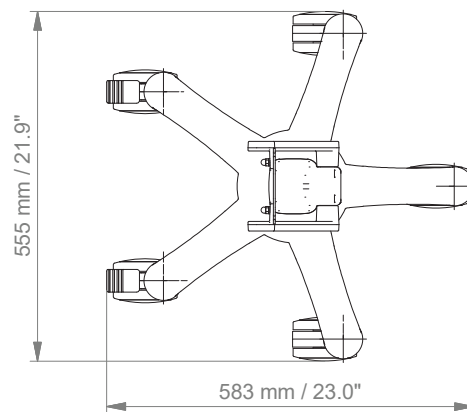
## Technical data

---

SIDE VIEW



TOP VIEW



## Fixings

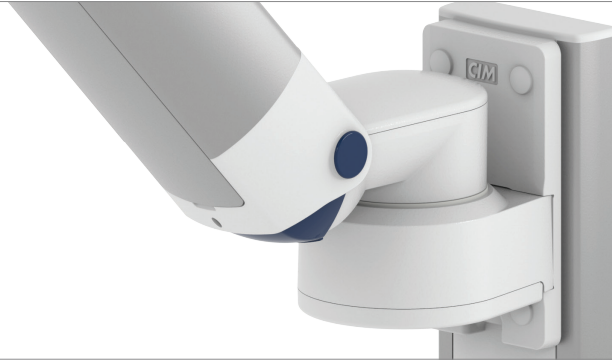










Illustration	Description	Notes	Part no.
	Adapter for vertical wall channel	To mount to CIM wall channel (compatible with GCX channel) For arms with high mounting positions Please order separately: CIM wall channel, see catalogue accessoires	4V 4U
	Fixed rail clamp	To mount to horizontal European rails 10 x 25, 8 x 35, 10 x 30, 10 x 50 mm	2F
	Vertical rail clamp	To mount to vertical European rail 10 x 25 mm	3
	Dual vertical rail clamp	To mount to two parallel vertical European rails 10 x 50 mm Distance between rails 150 mm / 5.9", e.g. Dräger pendant Distance between rails 225 mm / 8.9", e.g. Trilux pendant	3DR 3TX
	Fixed pole clamp	To mount to pole $\varnothing$ 25 mm / 1.0" To mount to pole $\varnothing$ 30 mm / 1.2" To mount to pole $\varnothing$ 35 mm / 1.4" To mount to pole $\varnothing$ 38 mm / 1.5"	1 1B 1F 1C
	Universal pole clamp	V-block to mount to pole $\varnothing$ 23 - 40 mm / 0.9 - 1.6"	1V
	Adapter medical supply units	For Mindray medical supply units	13
	Adapter pendants & headwalls	For Amico pendants & headwalls	17

## Fixings for anaesthesia machines

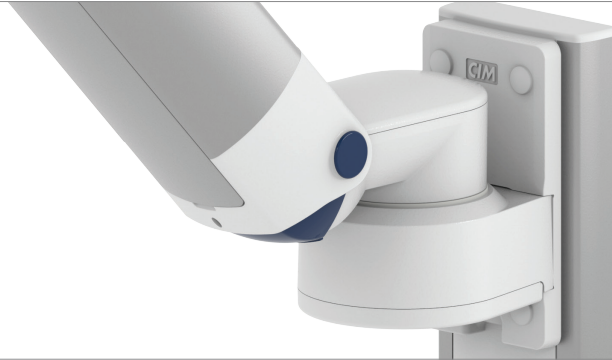







Illustration	Description	Notes	Part no.	
	Adapter for Löwenstein Medical anaesthesia machines	Adapter for Leon / Leon plus	9	
	Adapter for anaesthesia machines (all suppliers)	H 80 mm / 3.1" With existing side channel	4K	
<b>If your anaesthesia machine does not have a side channel already mounted to the machine, please order the following in addition to 4K:</b>				
	Adapter for Dräger	Dräger Primus / Julian / Cato / Fabius GS / Zeus side channel adapter L 127 mm / 5" side channel adapter L 320 mm / 12.6" side channel adapter L 480 mm / 18.9" side channel adapter L 210 mm / 8.3"	DR-J01 DR-J02 DR-J03 DR-J06	
				
		Adapter for GE	GE Avance / Aespire / Aestiva side channel adapter L 200 mm / 7.9" side channel adapter L 350 mm / 13.8"	DX-AES-01 DX-AES-02
		