

MOUNTING REFERENCE GUIDE

# VESA 75/100 Flat Panel with Keyboard/Mouse

CIM Cable Integrated Mounting System



THINK BEFORE  
YOU PRINT



# IT Lift system

MD



**Monitor adaptation**  
**Keyboard**

quick release base plate  
58S: 580 x 200 mm / 22.8 x 7.9", magnetic  
65S: 650 x 200 mm / 25.6 x 7.9", magnetic

**Height adjustment range**  
**Distance to wall**

300 mm / 11.8"  
110 mm / 4.3" keyboard folded up  
490 mm / 19.3" keyboard retracted

**Max. load monitor adaptation**  
**Balancing range X**

18 kg / 39.7 lbs  
100: 100 N (4 - 10 kg / 8.8 - 22 lbs)  
180: 180 N (10.5 - 18 kg / 23.2 - 39.7 lbs)

**Part number**

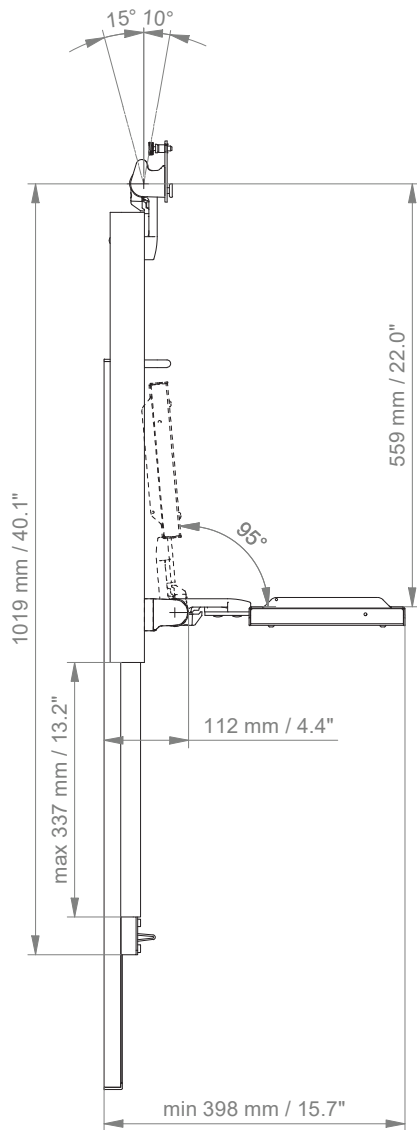
A-696Q.bl1\_X\_58S wall channel L 960 mm / 37.8"  
A-696Q.bl1\_X\_65S wall channel L 960 mm / 37.8"  
  
A-6120Q.bl1\_X\_58S wall channel L 1200 mm / 47.2"  
A-6120Q.bl1\_X\_65S wall channel L 1200 mm / 47.2"  
  
Z-QR-C.D quick release adapter plate VESA 75/75  
Z-QR-G.D quick release adapter plate VESA 75/100

CPU dual clamp set only available for A-6120Q. Please refer to catalogue accessories.

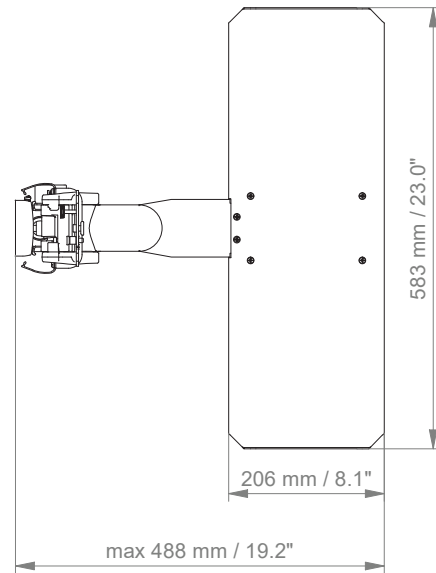
# IT Lift system

## Technical data

SIDE VIEW



TOP VIEW



## Quick release adapter plate VESA

### VESA 75 Quick release adapter plate (Z-QR-C.D)

The adapter plate shown is mounted to the rear side of the monitor's hole pattern 75 x 75 mm (2.9 x 2.9"). The quick release adapter plate has to be ordered separately.

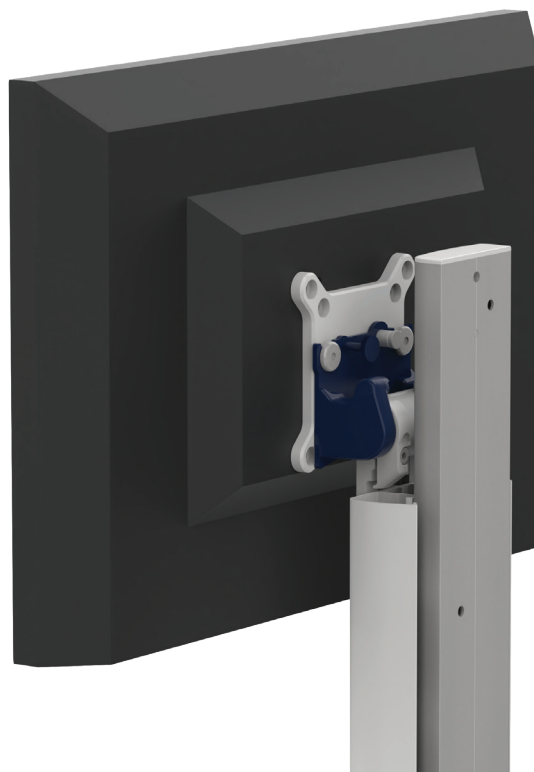
Product weight: 0.2 kg / 0.4 lbs



### VESA 75/ 100 Quick release adapter plate (Z-QR-G.D)

The adapter plate shown is mounted to the rear side of the monitor using either the 75 x 75 mm (2.9 x 2.9") or 100 x 100 mm (3.9 x 3.9") hole pattern. The quick release adapter plate has to be ordered separately.

Product weight: 0.2 kg / 0.4 lbs



# Dual IT Lift system



**Monitor adaptation**

**Keyboard**

VESA 75/100

58S: 580 x 200 mm / 22.8 x 7.9", magnetic

65S: 650 x 200 mm / 25.6 x 7.9", magnetic

**Height adjustment range**

**Distance to wall**

300 mm / 11.8"

110 mm / 4.3"

keyboard folded up

490 mm / 19.3"

keyboard retracted

**Max. load monitor adaptation**

**Balancing range X**

8 kg / 17.6 lbs each VESA plate

100: 100 N (4 - 10 kg / 8.8 - 22 lbs)

180: 180 N (10.5 - 18 kg / 23.2 - 39.7 lbs)

**Part number**

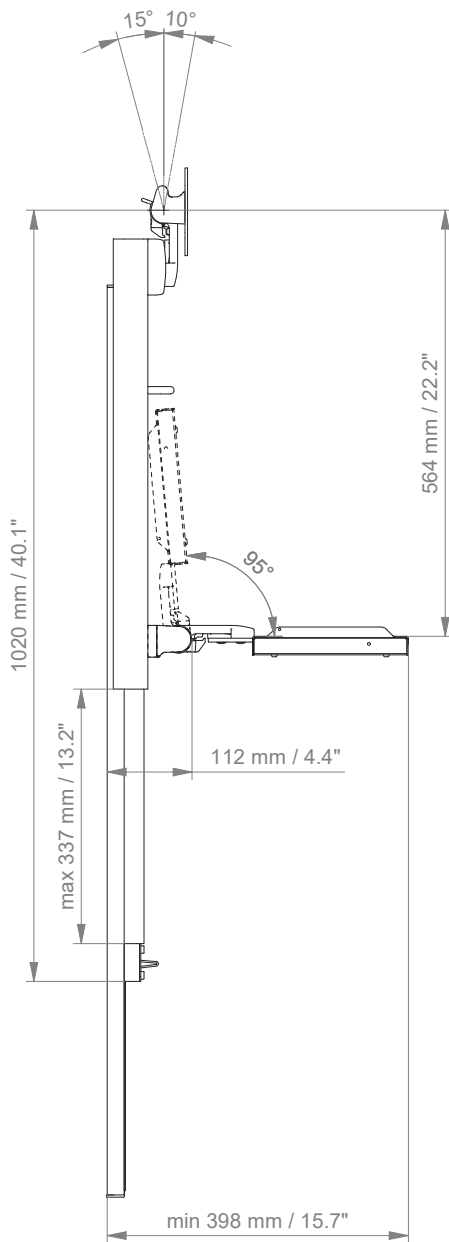
A-D6120G.bl1\_X\_58S wall channel L 1200 mm / 47.2"

A-D6120G.bl1\_X\_65S wall channel L 1200 mm / 47.2"

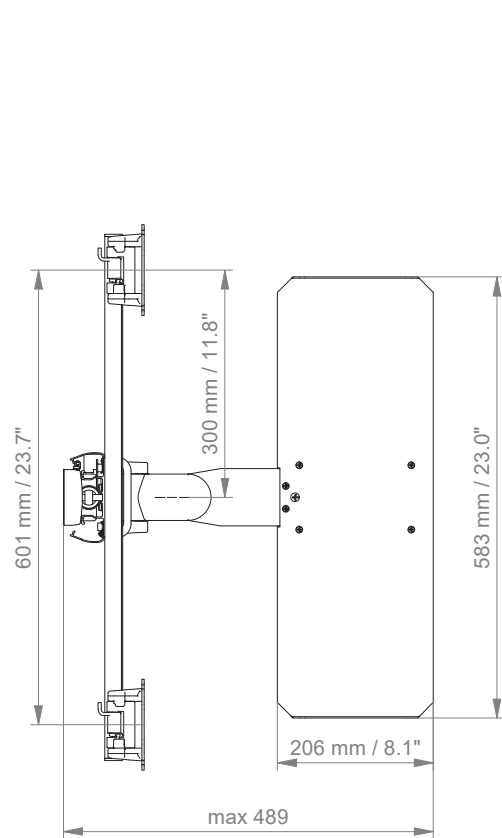
# Dual IT Lift system

## Technical data

SIDE VIEW



TOP VIEW



## Combi systems with ergonomic W-bracket

---



# Support arm pivot with ergonomic W-bracket

MD



## Monitor / keyboard adaption

W-bracket VESA 75/100 and keyboard / mouse tray

## Colours to choose CD

decorative parts RAL 5013 cobalt blue / RAL 7024 graphite greyw  
aluminum parts RAL 9016 traffic white / RAL 9002 grey white

## Max. load capacity support arm

18 kg / 39.7 lbs

## Max. load monitor adaptation

18 kg / 39.7 lbs

## Product weight

arm type 240 3.4 - 5.0 kg / 7.5 - 11.0 lbs (according to dimensions of keyboard tray)  
arm type 300 3.6 - 5.1 kg / 7.9 - 11.2 lbs (according to dimensions of keyboard tray)

## Keyboard tray T

300 x 210 mm, 400 x 150 mm, 500 x 200 mm, 580 x 200 mm, 650 x 200 mm, 480 x 220 mm  
11.8 x 8.3", 15.7 x 5.9", 19.7 x 7.9", 22.8 x 7.9", 25.6 x 7.9", 18.9 x 8.7"

## Part number

arm type 240 arm type 300  
A-224F-Y.CD\_T A-230F-Y.CD\_T

## Fixings Y

details page 30



4S

Adapter for vertical wall channel



2F

Horizontal rail clamp



3

Vertical rail clamp



1V

Universal pole clamp



1  
1B  
1F  
1C

Fixed pole clamp



13

Adapter for Mindray medical supply units



17

Adapter for Amico pendants & headwalls



9

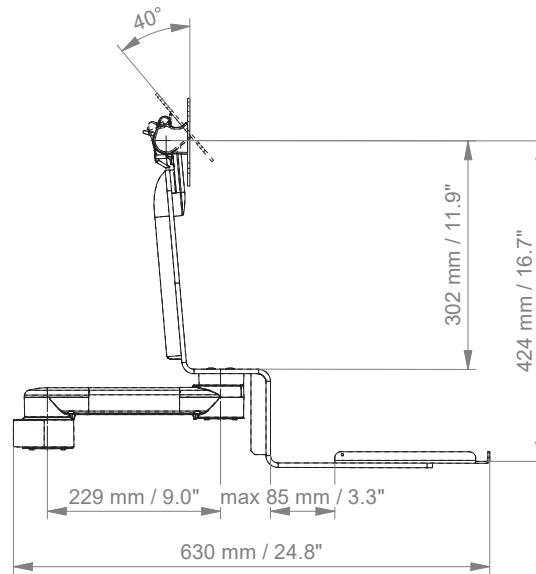
Adapter for Löwenstein Medical / ITD / mounting channel



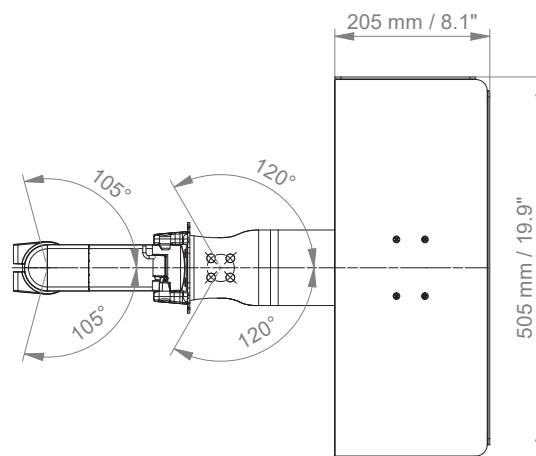
# Support arm pivot with ergonomic W-bracket

Technical data - arm type 300, keyboard tray 500 x 200 mm / 19.7 x 7.9"

## SIDE VIEW



## TOP VIEW



# Extended pivot arm heavy duty with ergonomic W-bracket

MD



**Monitor / keyboard adaption**

W-bracket VESA 75/100 and keyboard / mouse tray

**Colours to choose** CD

decorative parts RAL 5013 cobalt blue / RAL 7024 graphite grey  
 aluminum parts RAL 9016 traffic white / RAL 9002 grey white

**Max. load capacity support arm**

18 kg / 39.7 lbs

**Max. load monitor adaptation**

18 kg / 39.7 lbs

**Product weight**

4.7 - 6.3 kg / 10.4 - 13.9 lbs (according to dimensions of keyboard tray)

**Keyboard tray** T

300 x 210 mm, 400 x 150 mm, 500 x 200 mm, 580 x 200 mm, 650 x 200 mm, 480 x 220 mm  
 11.8 x 8.3", 15.7 x 5.9", 19.7 x 7.9", 22.8 x 7.9", 25.6 x 7.9", 18.9 x 8.7"

**Part number**

A-H33030F-Y.CD\_T

**Fixings** Y

details page 30



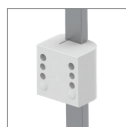
4S

Adapter for vertical wall channel



2F

Horizontal rail clamp



3

Vertical rail clamp



1V

Universal pole clamp



1  
1B  
1F  
1C

Fixed pole clamp



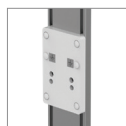
13

Adapter for Mindray medical supply units



17

Adapter for Amico pendants & headwalls



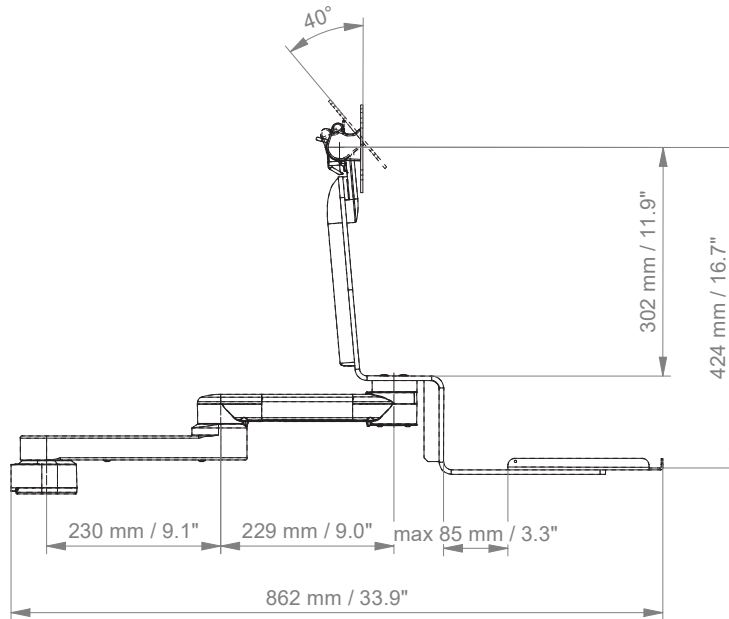
9

Adapter for Löwenstein Medical / ITD / mounting channel

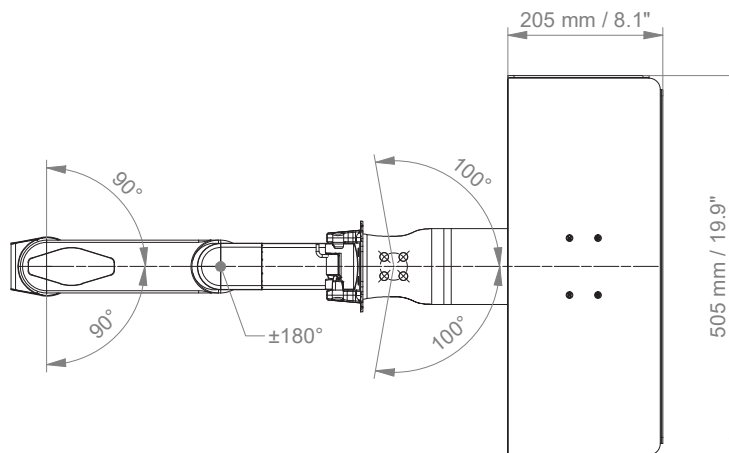
# Extended pivot arm heavy duty with ergonomic W-bracket

Technical data - keyboard tray 500 x 200 mm / 19.7 x 7.9"

## SIDE VIEW



## TOP VIEW



# Height adjustable arm with ergonomic W-bracket

MD



<b>Monitor adaption</b>	W-bracket VESA 75/100 and keyboard / mouse tray
<b>Height adjustment</b>	slow-flowing spring, parallel linkage for a constant viewing angle
<b>Colours to choose</b> <b>CD</b>	decorative parts RAL 5013 cobalt blue / RAL 7024 graphite grey aluminum parts RAL 9016 traffic white / RAL 9002 grey white
<b>Max. load capacity support arm</b>	18 kg / 39.7 lbs
<b>Max. load monitor adaptation</b>	18 kg / 39.7 lbs
<b>Product weight</b>	5.3 - 6.9 kg / 11.7 - 15.2 lbs (according to dimensions of keyboard tray)
<b>Balancing range</b> <b>X</b>	950 N (2.5 - 5.5 kg / 5.5 - 12.1 lbs); 1100 N (3.5 - 9.5 kg / 7.7 - 20.9 lbs); 1300 N (6 - 10 kg / 13.2 - 22 lbs); 1600 N (8 - 16 kg / 17.6 - 35.3 lbs); 1750 N (11 - 14 kg / 24.3 - 30.9 lbs); 2200 N (13 - 16 kg / 28.7 - 35.3 lbs)
<b>Keyboard tray</b> <b>T</b>	300 x 210 mm, 400 x 150 mm, 500 x 200 mm, 580 x 200 mm, 650 x 200 mm, 480 x 220 mm 11.8 x 8.3", 15.7 x 5.9", 19.7 x 7.9", 22.8 x 7.9", 25.6 x 7.9", 18.9 x 8.7"
<b>Part number</b>	A-431F-Y.CD_X_T

## Fixings **Y**

details page 30



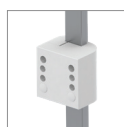
4S

Adapter for vertical wall channel



2F

Horizontal rail clamp



3

Vertical rail clamp



1V

Universal pole clamp



1  
1B  
1F  
1C

Fixed pole clamp



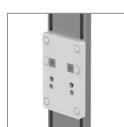
13

Adapter for Mindray medical supply units



17

Adapter for Amico pendants & headwalls



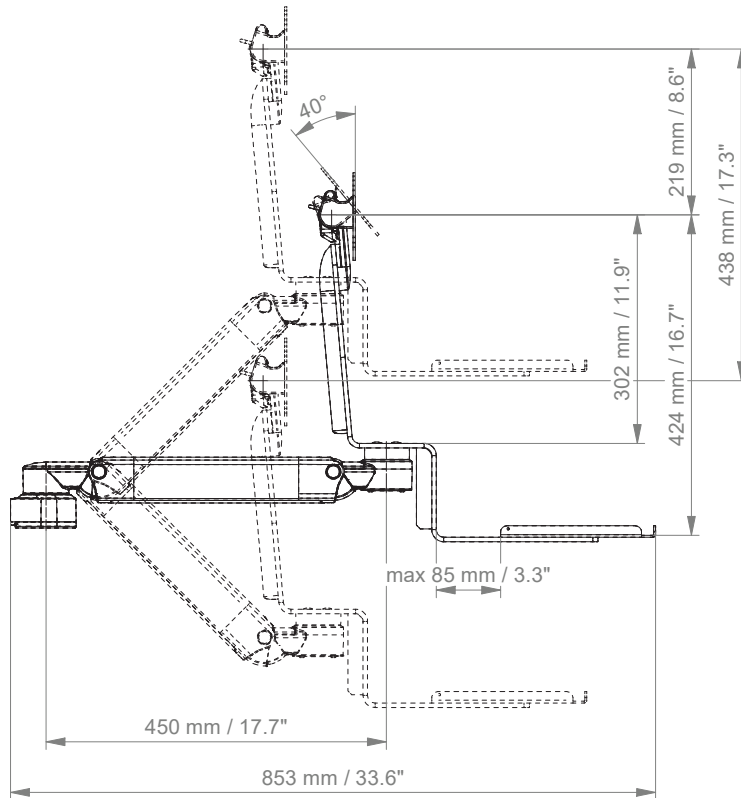
9

Adapter for Löwenstein Medical / ITD / mounting channel

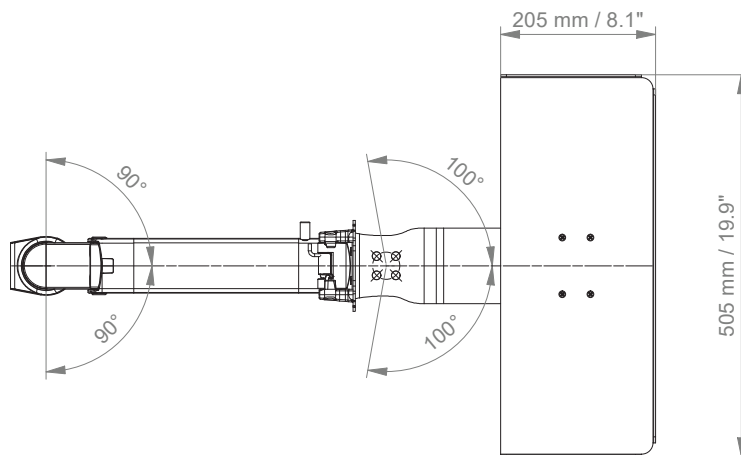
# Height adjustable arm with ergonomic W-bracket

Technical data - keyboard tray 500 x 200 mm / 19.7 x 7.9"

## SIDE VIEW



## TOP VIEW



# Extended height adjustable arm with ergonomic W-bracket

MD



<b>Monitor adaption</b>	W-bracket VESA 75/100 and keyboard / mouse tray
<b>Height adjustment</b>	slow-flowing spring, parallel linkage for a constant viewing angle
<b>Colours to choose</b> <b>CD</b>	decorative parts RAL 5013 cobalt blue / RAL 7024 graphite grey aluminum parts RAL 9016 traffic white / RAL 9002 grey white
<b>Max. load capacity support arm</b>	18 kg / 39.7 lbs
<b>Max. load monitor adaptation</b>	18 kg / 39.7 lbs
<b>Product weight</b>	6.4 - 8.0 kg / 14.1 - 17.6 lbs (according to dimensions of keyboard tray)
<b>Balancing range</b> <b>X</b>	950 N (2.5 - 5.5 kg / 5.5 - 12.1 lbs); 1100 N (3.5 - 9.5 kg / 7.7 - 20.9 lbs); 1300 N (6 - 10 kg / 13.2 - 22 lbs); 1600 N (8 - 16 kg / 17.6 - 35.3 lbs); 1750 N (11 - 14 kg / 24.3 - 30.9 lbs); 2200 N (13 - 16 kg / 28.7 - 35.3 lbs)
<b>Keyboard tray</b> <b>T</b>	300 x 210 mm, 400 x 150 mm, 500 x 200 mm, 580 x 200 mm, 650 x 200 mm, 480 x 220 mm 11.8 x 8.3", 15.7 x 5.9", 19.7 x 7.9", 22.8 x 7.9", 25.6 x 7.9", 18.9 x 8.7"
<b>Part number</b>	A-73130F-Y.CD_X_T

## Fixings **Y**

details page 30



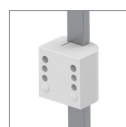
4S

Adapter for vertical wall channel



2F

Horizontal rail clamp



3

Vertical rail clamp



1V

Universal pole clamp



1  
1B  
1F  
1C

Fixed pole clamp



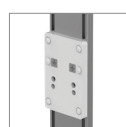
13

Adapter for Mindray medical supply units



17

Adapter for Amico pendants & headwalls



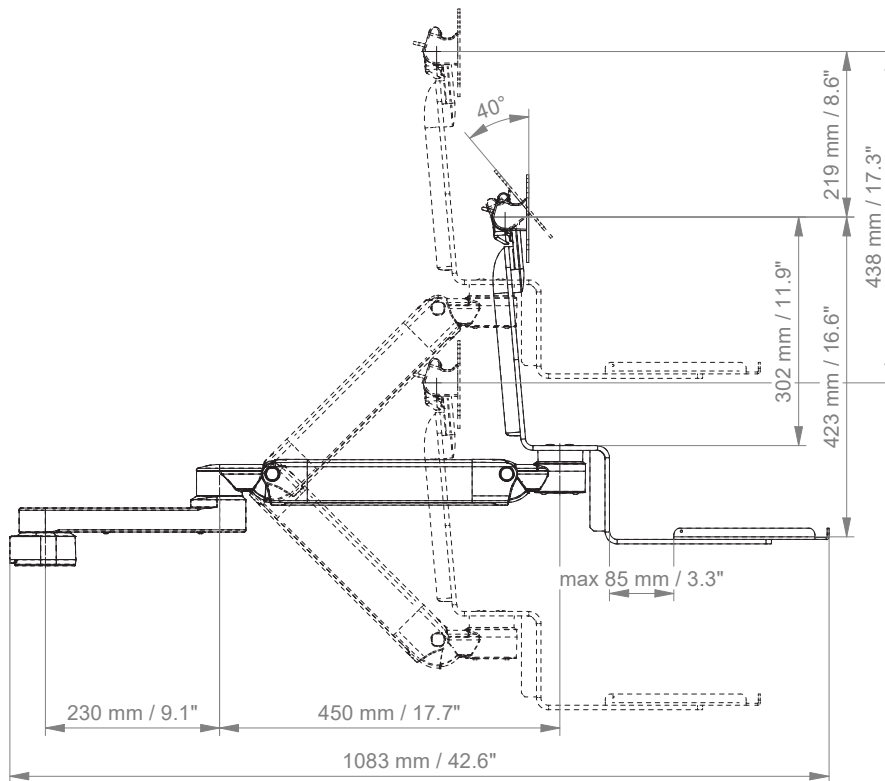
9

Adapter for Löwenstein Medical / ITD / mounting channel

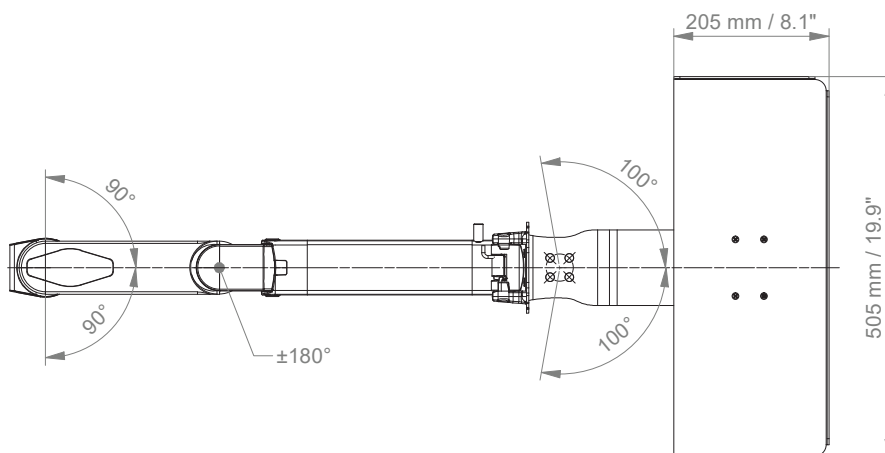
# Extended height adjustable arm with ergonomic W-bracket

Technical data - keyboard tray 500 x 200 mm / 19.7 x 7.9"

## SIDE VIEW



## TOP VIEW



## Combi systems with fold-up Z-bracket

---





# Support arm pivot with fold-up Z-bracket

MD



**Monitor / keyboard adaption**

Z-bracket VESA 75/100 and keyboard / mouse tray

**Colours to choose** CD

decorative parts RAL 5013 cobalt blue / RAL 7024 graphite grey  
 aluminum parts RAL 9016 traffic white / RAL 9002 grey white

**Max. load capacity support arm**

17 kg / 37.5 lbs

**Max. load monitor adaptation**

17 kg / 37.5 lbs

**Product weight**

arm type 240 4.9 - 5.9 kg / 10.8 - 13.0 lbs (according to dimensions of keyboard tray)  
 arm type 300 5.0 - 6.0 kg / 11.0 - 13.2 lbs (according to dimensions of keyboard tray)

**Keyboard tray** T

300 x 210 mm, 400 x 150 mm, 500 x 200 mm, 580 x 200 mm, 650 x 200 mm, 480 x 220 mm  
 11.8 x 8.3", 15.7 x 5.9", 19.7 x 7.9", 22.8 x 7.9", 25.6 x 7.9", 18.9 x 8.7"

**Part number**

arm type 240 arm type 300  
 A-224M-Y.CD\_T A-230M-Y.CD\_T

**Fixings** Y

details page 30



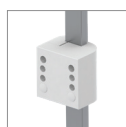
4S

Adapter for vertical wall channel



2F

Horizontal rail clamp



3

Vertical rail clamp



1V

Universal pole clamp



1  
1B  
1F  
1C

Fixed pole clamp



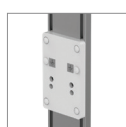
13

Adapter for Mindray medical supply units



17

Adapter for Amico pendants & headwalls



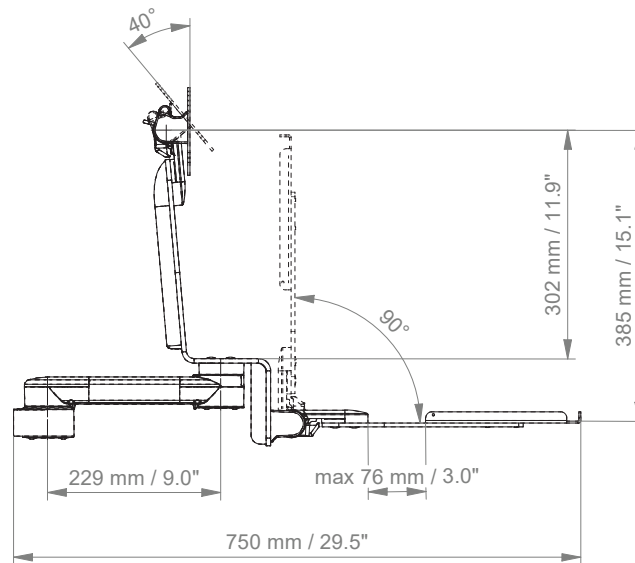
9

Adapter for Löwenstein Medical / ITD / mounting channel

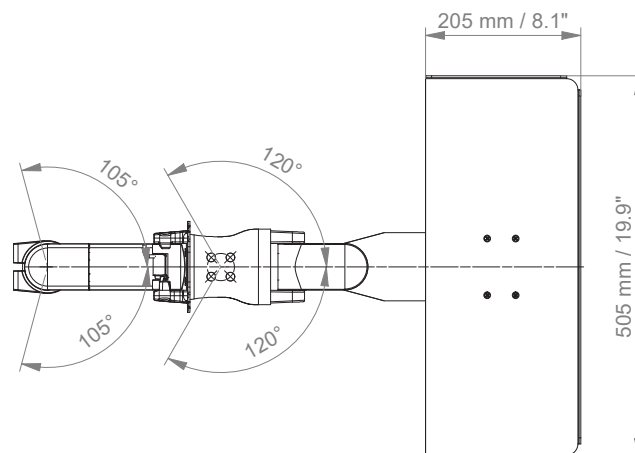
# Support arm pivot with fold-up Z-bracket

Technical data - arm type 300, keyboard tray 500 x 200 mm / 19.7 x 7.9"

## SIDE VIEW



## TOP VIEW



# Extended pivot arm heavy duty with fold-up Z-bracket

MD



**Monitor / keyboard adaption**

Z-bracket VESA 75/100 and keyboard / mouse tray

**Colours to choose** CD

decorative parts RAL 5013 cobalt blue / RAL 7024 graphite grey  
aluminum parts RAL 9016 traffic white / RAL 9002 grey white

**Max. load capacity support arm**

17 kg / 37.5 lbs

**Max. load monitor adaptation**

17 kg / 37.5 lbs

**Product weight**

6.2 - 7.2 kg / 13.7 - 15.9 lbs (according to dimensions of keyboard tray)

**Keyboard tray** T

300 x 210 mm, 400 x 150 mm, 500 x 200 mm, 580 x 200 mm, 650 x 200 mm, 480 x 220 mm  
11.8 x 8.3", 15.7 x 5.9", 19.7 x 7.9", 22.8 x 7.9", 25.6 x 7.9", 18.9 x 8.7"

**Part number**

A-H33030M-Y.CD\_T

## Fixings Y

details page 30



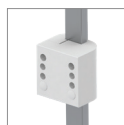
4S

Adapter for vertical wall channel



2F

Horizontal rail clamp



3

Vertical rail clamp



1V

Universal pole clamp



1  
1B  
1F  
1C

Fixed pole clamp



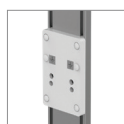
13

Adapter for Mindray medical supply units



17

Adapter for Amico pendants & headwalls



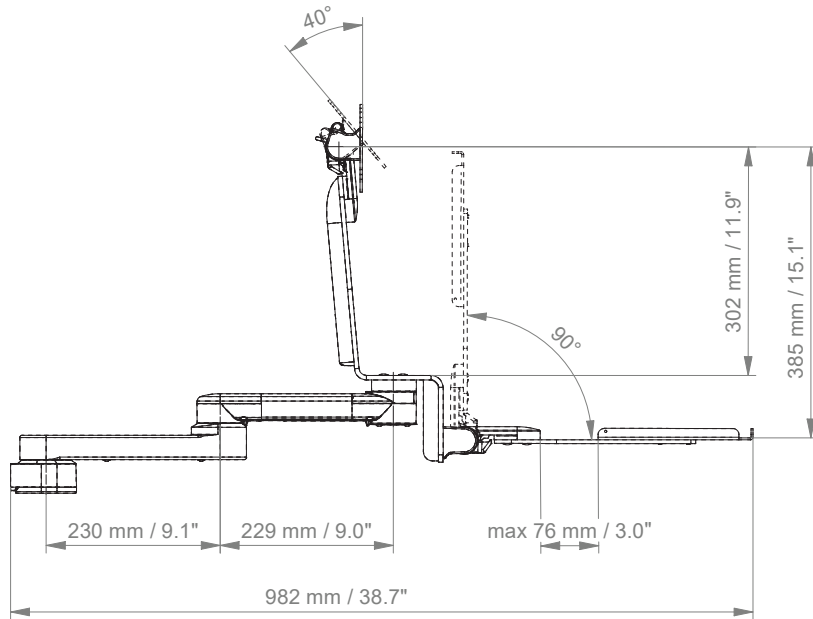
9

Adapter for Löwenstein Medical / ITD / mounting channel

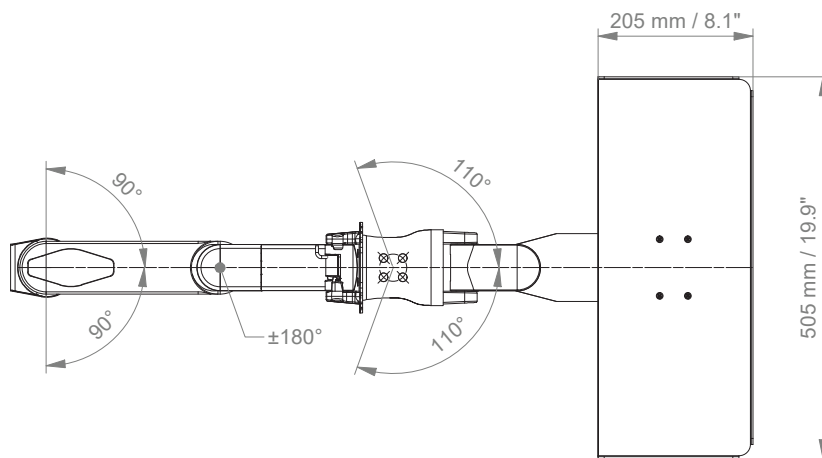
# Extended pivot arm heavy duty with fold-up Z-bracket

Technical data - keyboard tray 500 x 200 mm / 19.7 x 7.9"

## SIDE VIEW



## TOP VIEW



# Height adjustable arm with fold-up Z-bracket

MD



<b>Monitor adaption</b>	Z-bracket VESA 75/100 and keyboard / mouse tray
<b>Height adjustment</b>	slow-flowing spring, parallel linkage for a constant viewing angle
<b>Colours to choose</b> <b>CD</b>	decorative parts RAL 5013 cobalt blue / RAL 7024 graphite grey aluminum parts RAL 9016 traffic white / RAL 9002 grey white
<b>Max. load capacity support arm</b>	17 kg / 37.5 lbs
<b>Max. load monitor adaptation</b>	17 kg / 37.5 lbs
<b>Product weight</b>	6.7 - 7.8 kg / 14.8 - 17.2 lbs (according to dimensions of keyboard tray)
<b>Balancing range</b> <b>X</b>	950 N (1.5 - 4.5 kg / 3.3 - 9.9 lbs); 1100 N (3 - 9 kg / 6.6 - 19.8 lbs); 1300 N (5 - 9 kg / 11 - 19.8 lbs); 1600 N (8 - 15 kg / 17.6 - 33.1 lbs); 1750 N (10 - 13 kg / 22 - 28.7 lbs); 2200 N (13.5 - 16.5 kg / 29.8 - 36.4 lbs)
<b>Keyboard tray</b> <b>T</b>	300 x 210 mm, 400 x 150 mm, 500 x 200 mm, 580 x 200 mm, 650 x 200 mm, 480 x 220 mm 11.8 x 8.3", 15.7 x 5.9", 19.7 x 7.9", 22.8 x 7.9", 25.6 x 7.9", 18.9 x 8.7"
<b>Part number</b>	A-431M-Y,CD_X,T

## Fixings **Y**

details page 30



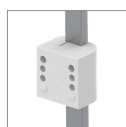
4S

Adapter for vertical wall channel



2F

Horizontal rail clamp



3

Vertical rail clamp



1V

Universal pole clamp



1  
1B  
1F  
1C

Fixed pole clamp



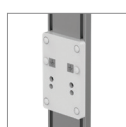
13

Adapter for Mindray medical supply units



17

Adapter for Amico pendants & headwalls



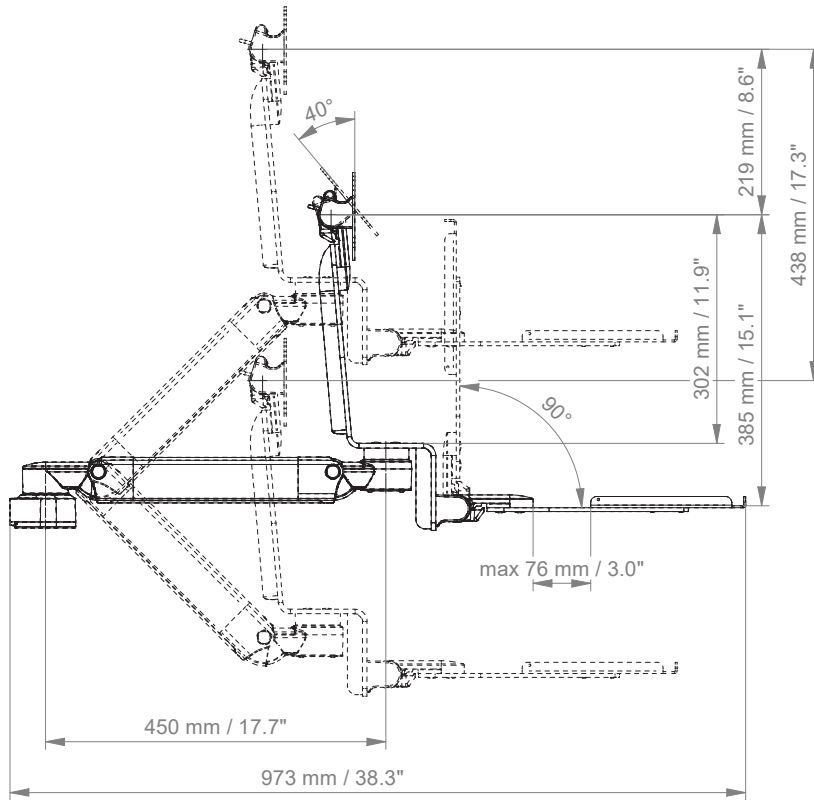
9

Adapter for Löwenstein Medical / ITD / mounting channel

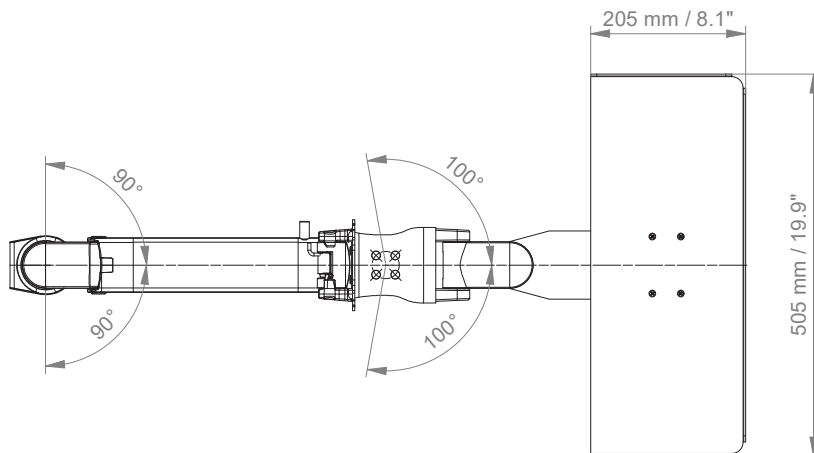
# Height adjustable arm with fold-up Z-bracket

Technical data - keyboard tray 500 x 200 mm / 19.7 x 7.9"

## SIDE VIEW



## TOP VIEW



# Extended height adjustable arm with fold-up Z-bracket

MD



<b>Monitor adaption</b>	Z-bracket VESA 75/100 and keyboard / mouse tray
<b>Height adjustment</b>	slow-flowing spring, parallel linkage for a constant viewing angle
<b>Colours to choose</b> <b>CD</b>	decorative parts RAL 5013 cobalt blue / RAL 7024 graphite grey aluminum parts RAL 9016 traffic white / RAL 9002 grey white
<b>Max. load capacity support arm</b>	17 kg / 37.5 lbs
<b>Max. load monitor adaptation</b>	17 kg / 37.5 lbs
<b>Product weight</b>	7.8 - 8.8 kg / 17.2 - 19.4 lbs (according to dimensions of keyboard tray)
<b>Balancing range</b> <b>X</b>	950 N (1.5 - 4.5 kg / 3.3 - 9.9 lbs); 1100 N (3 - 9 kg / 6.6 - 19.8 lbs); 1300 N (5 - 9 kg / 11 - 19.8 lbs); 1600 N (8 - 15 kg / 17.6 - 33.1 lbs); 1750 N (10 - 13 kg / 22 - 28.7 lbs); 2200 N (13.5 - 16.5 kg / 29.8 - 36.4 lbs)
<b>Keyboard tray</b> <b>T</b>	300 x 210 mm, 400 x 150 mm, 500 x 200 mm, 580 x 200 mm, 650 x 200 mm, 480 x 220 mm 11.8 x 8.3", 15.7 x 5.9", 19.7 x 7.9", 22.8 x 7.9", 25.6 x 7.9", 18.9 x 8.7"
<b>Part number</b>	A-73130M-Y.CD_X_T

## Fixings **Y**

details page 30



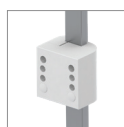
4S

Adapter for vertical wall channel



2F

Horizontal rail clamp



3

Vertical rail clamp



1V

Universal pole clamp



1  
1B  
1F  
1C

Fixed pole clamp



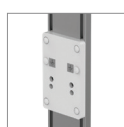
13

Adapter for Mindray medical supply units



17

Adapter for Amico pendants & headwalls



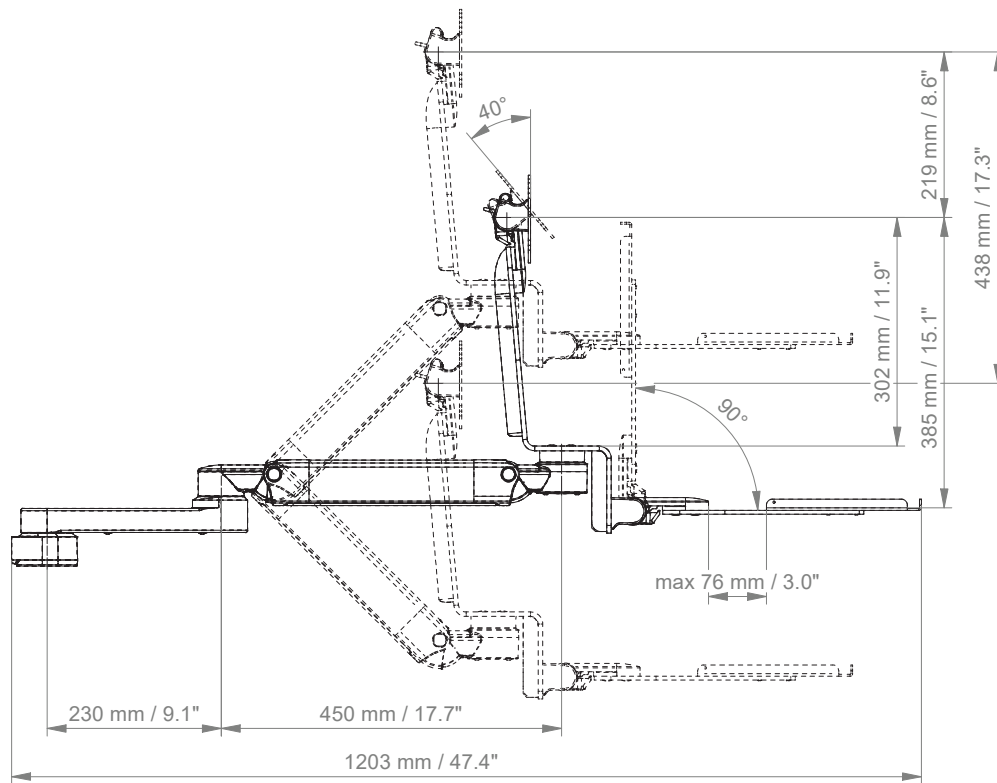
9

Adapter for Löwenstein Medical / ITD / mounting channel

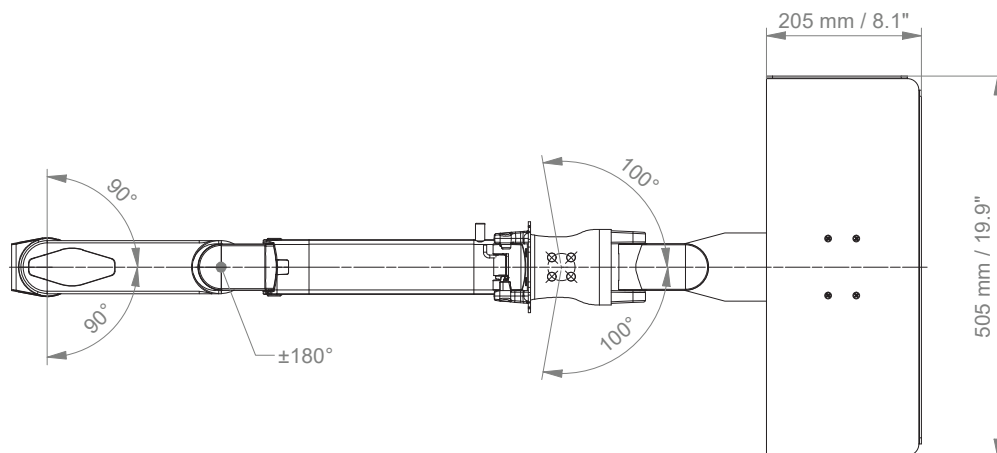
# Extended height adjustable arm with fold-up Z-bracket

Technical data - keyboard tray 500 x 200 mm / 19.7 x 7.9"

## SIDE VIEW











## TOP VIEW





# Fixings



Illustration	Description	Notes	Weight	Part no.
	Adapter for vertical wall channel	To mount to CIM wall channel (compatible with GCX channel) Please order separately: CIM wall channel, see catalogue accessoires	0.6 kg / 1.3 lbs	4S
	Horizontal rail clamp	To mount to horizontal European rails 10 x 25, 8 x 35, 10 x 30, 10 x 50 mm	1.1 kg / 2.4 lbs	2F
	Vertical rail clamp	To mount to vertical European rail 10 x 25 mm	0.5 kg / 1.1 lbs	3
	Universal pole clamp	V-block to mount to pole $\varnothing$ 23 - 40 mm / 0.9 - 1.6"	0.6 kg / 1.3 lbs	1V
	Fixed pole clamp	To mount to pole $\varnothing$ 25 mm / 1.0" To mount to pole $\varnothing$ 30 mm / 1.2" To mount to pole $\varnothing$ 35 mm / 1.4" To mount to pole $\varnothing$ 38 mm / 1.5"	0.3 kg / 0.7 lbs 0.4 kg / 0.9 lbs 0.4 kg / 0.9 lbs 0.4 kg / 0.9 lbs	1 1B 1F 1C
	Adapter medical supply units	For Mindray medical supply units	0.8 kg / 1.8 lbs	13
	Adapter pendants & headwalls	For Amico pendants & headwalls	0.6 kg / 1.3 lbs	17
	Adapter pendants & headwalls	For Löwenstein Medical / ITD / mounting channels	0.4 kg / 0.9 lbs	9