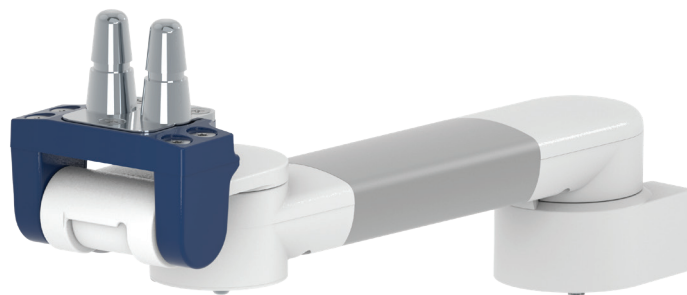


Support arm pivot



Monitor adaption

prepared to accept Philips table top mount

Colours to choose

decorative parts RAL 5013 cobalt blue / RAL 7024 graphite grey
 aluminum parts RAL 9016 traffic white / RAL 9002 grey white

Max. load capacity support arm

18 kg / 39.7 lbs

Max. load monitor adaptation

18 kg / 39.7 lbs

Product weight

arm type 240 arm type 300
 1.7 kg / 3.7 lbs 1.8 kg / 4.0 lbs

Part number

arm type 240 arm type 300
 A-224PH-Y.CD A-230PH-Y.CD

Fixings

Y | details page 44 and 45



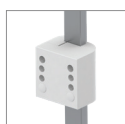
4V

Adapter for vertical wall channel



2F

Fixed rail clamp



3

Vertical rail clamp



3DR
3TX

Dual vertical rail clamp



1
1B
1F
1C
1V

Fixed / universal pole clamp



13

Adapter for Mindray medical supply units



17

Adapter for Amico pendants & headwalls



9

Adapter for Löwenstein Medical anaesthesia machines



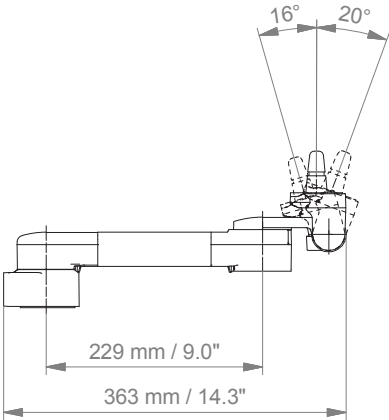
4K

Adapter for anaesthesia machines with existing side channel

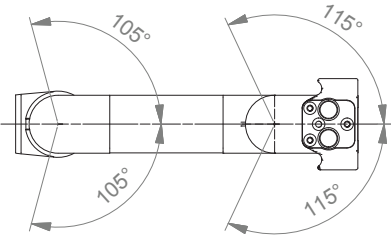
Support arm pivot

Technical data - arm type 300

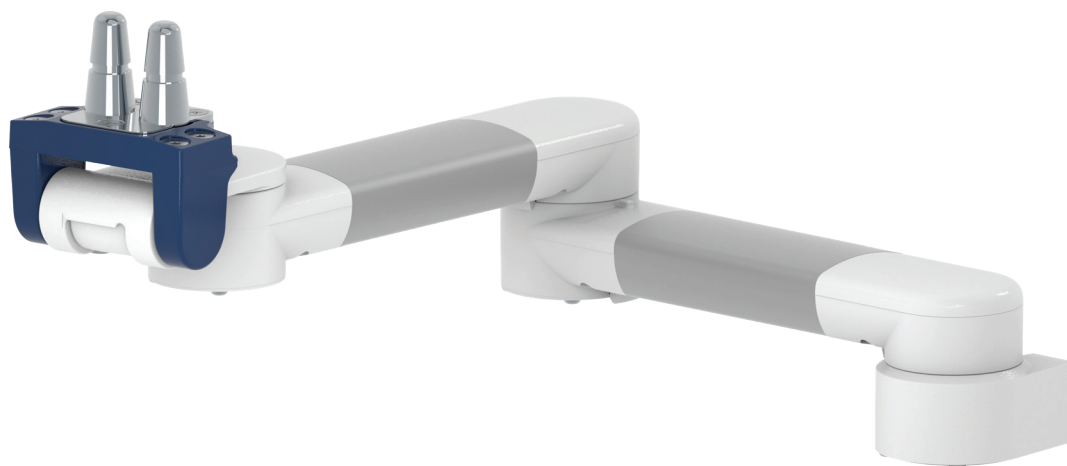
SIDE VIEW



TOP VIEW



Extended pivot arm light duty



Monitor adaption

prepared to accept Philips table top mount

Colours to choose

decorative parts RAL 5013 cobalt blue / RAL 7024 graphite grey
 aluminum parts RAL 9016 traffic white / RAL 9002 grey white

Max. load capacity support arm

8 kg / 17.6 lbs

Max. load monitor adaptation

8 kg / 17.6 lbs

Product weight

2.7 kg / 5.9 lbs

Part number

A-33030PH-Y.CD

Fixings

Y | details page 44 and 45



4V

Adapter for vertical wall channel



2F

Fixed rail clamp



3

Vertical rail clamp



3DR
3TX

Dual vertical rail clamp



1
1B
1F
1C
1V

Fixed / universal pole clamp



13

Adapter for Mindray medical supply units



17

Adapter for Amico pendants & headwalls



9

Adapter for Löwenstein Medical anaesthesia machines



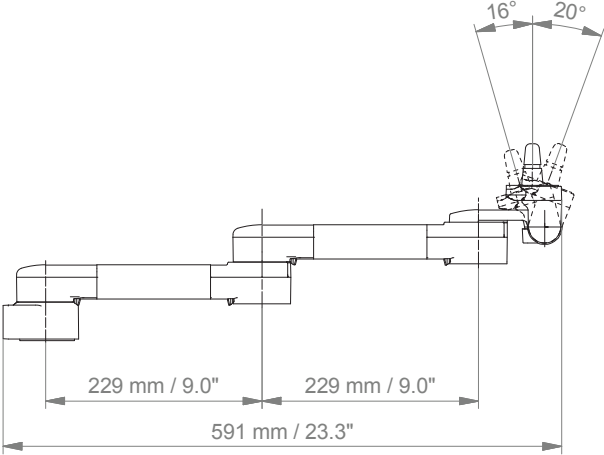
4K

Adapter for anaesthesia machines with existing side channel

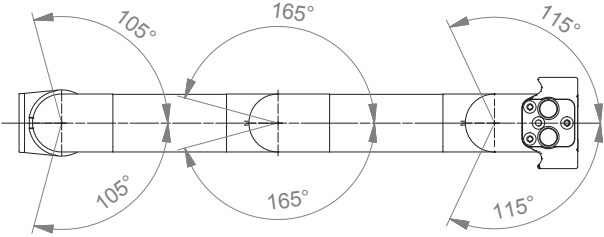
Extended pivot arm light duty

Technical data

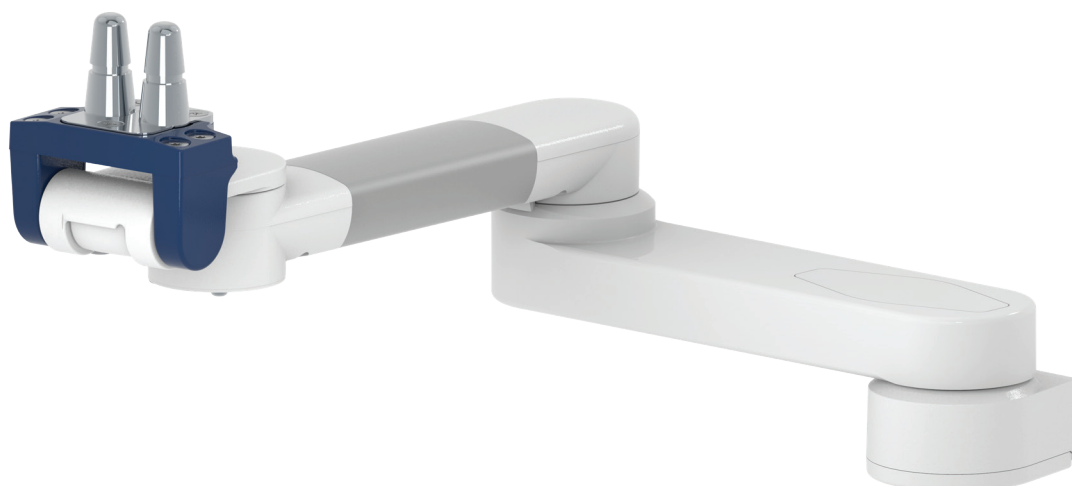
SIDE VIEW



TOP VIEW



Extended pivot arm heavy duty



Monitor adaption

prepared to accept Philips table top mount

Colours to choose

decorative parts RAL 5013 cobalt blue / RAL 7024 graphite grey
 aluminum parts RAL 9016 traffic white / RAL 9002 grey white

Max. load capacity support arm

18 kg / 39.7 lbs

Max. load monitor adaptation

18 kg / 39.7 lbs

Product weight

3.0 kg / 6.6 lbs

Part number

A-H33030PH-Y.CD

Fixings

Y | details page 44 and 45



4V

Adapter for vertical wall channel



2F

Fixed rail clamp



3

Vertical rail clamp



3DR
3TX

Dual vertical rail clamp



1
1B
1F
1C
1V

Fixed / universal pole clamp



13

Adapter for Mindray medical supply units



17

Adapter for Amico pendants & headwalls



9

Adapter for Löwenstein Medical anaesthesia machines



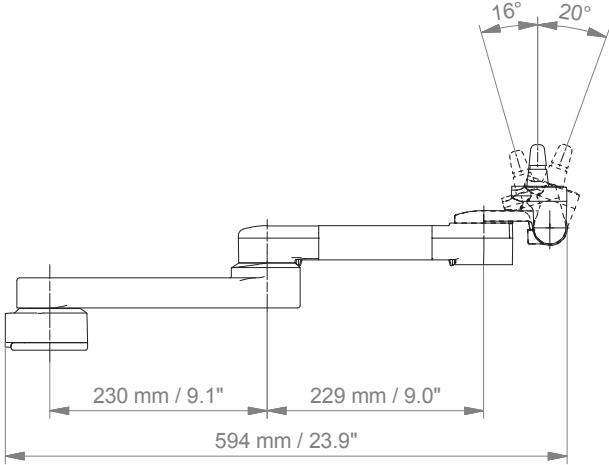
4K

Adapter for anaesthesia machines with existing side channel

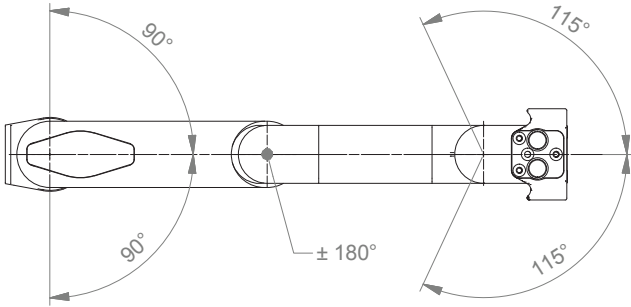
Extended pivot arm heavy duty

Technical data

SIDE VIEW



TOP VIEW



Height adjustable arm



Monitor adaption	prepared to accept Philips table top mount
Height adjustment	slow-flowing spring, parallel linkage for a constant viewing angle
Colours to choose	decorative parts RAL 5013 cobalt blue / RAL 7024 graphite grey aluminum parts RAL 9016 traffic white / RAL 9002 grey white
Max. load capacity support arm	22 kg / 48.5 lbs
Max. load monitor adaption	22 kg / 48.5 lbs
Product weight	3.7 kg / 8.2 lbs
Balancing range	600 N (2-5 kg / 4.4-11 lbs); 950 N (4-9 kg / 8.8-19.8 lbs); 1300 N (7.5-13 kg / 16.5-28.7 lbs); 1750 N (13-16 kg / 28.7-35.3 lbs); 2200 N (16-22 kg / 35.3-48.5 lbs)
Part number	A-431PH-Y.CD_X

Fixings

Y | details page 44 and 45



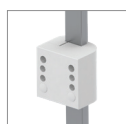
4V

Adapter for vertical wall channel



2F

Fixed rail clamp



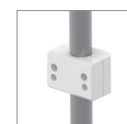
3

Vertical rail clamp



3DR
3TX

Dual vertical rail clamp



1
1B
1F
1C
1V

Fixed / universal pole clamp



13

Adapter for Mindray medical supply units



17

Adapter for Amico pendants & headwalls



9

Adapter for Löwenstein Medical anaesthesia machines



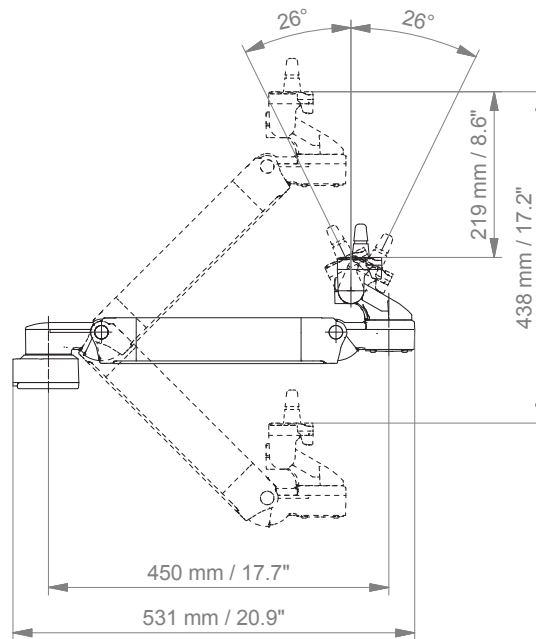
4K

Adapter for anaesthesia machines with existing side channel

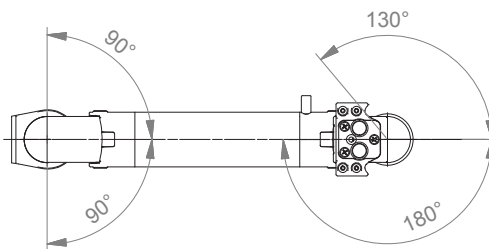
Height adjustable arm

Technical data

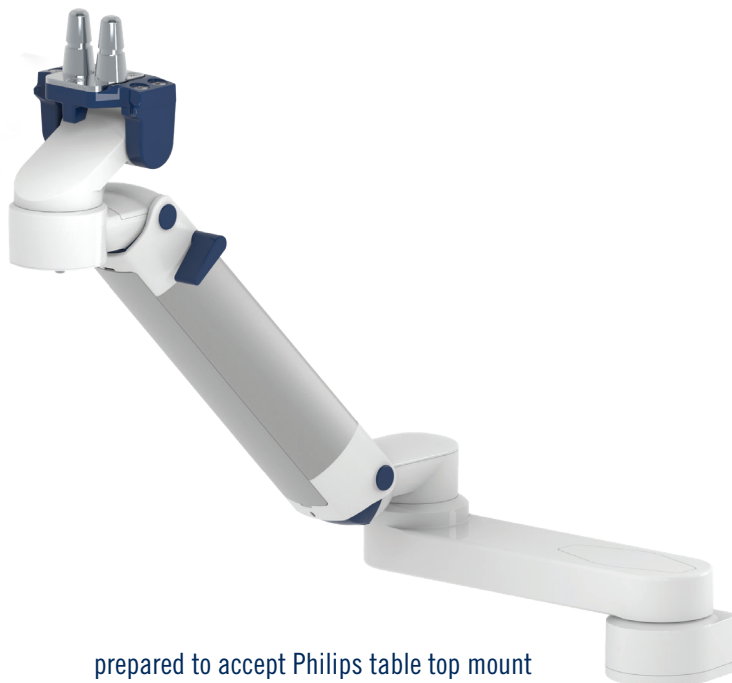
SIDE VIEW



TOP VIEW



Extended height adjustable arm



Monitor adaption	prepared to accept Philips table top mount
Height adjustment	slow-flowing spring, parallel linkage for a constant viewing angle
Colours to choose	decorative parts RAL 5013 cobalt blue / RAL 7024 graphite grey aluminum parts RAL 9016 traffic white / RAL 9002 grey white
Max. load capacity support arm	22 kg / 48.5 lbs
Max. load monitor adaption	22 kg / 48.5 lbs
Product weight	4.8 kg / 10.6 lbs
Balancing range	600 N (2-5 kg / 4.4-11 lbs); 950 N (4-9 kg / 8.8-19.8 lbs); 1300 N (7.5-13 kg / 16.5-28.7 lbs); 1750 N (13-16 kg / 28.7-35.3 lbs); 2200 N (16-22 kg / 35.3-48.5 lbs)
Part number	A-73130PH-Y.CD_X

Fixings

Y | details page 44 and 45



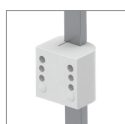
4V

Adapter for vertical wall channel



2F

Fixed rail clamp



3

Vertical rail clamp



3DR
3TX

Dual vertical rail clamp



1
1B
1F
1C
1V

Fixed / universal pole clamp



13

Adapter for Mindray medical supply units



17

Adapter for Amico pendants & headwalls



9

Adapter for Löwenstein Medical anaesthesia machines



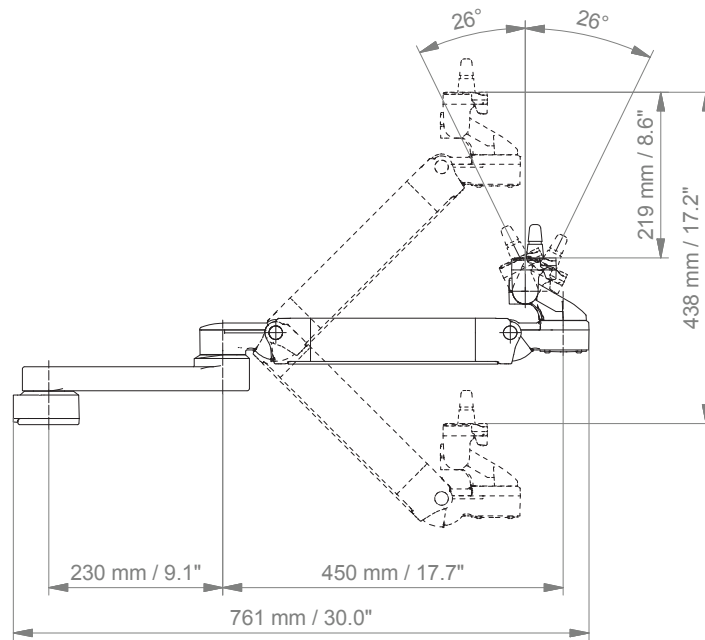
4K

Adapter for anaesthesia machines with existing side channel

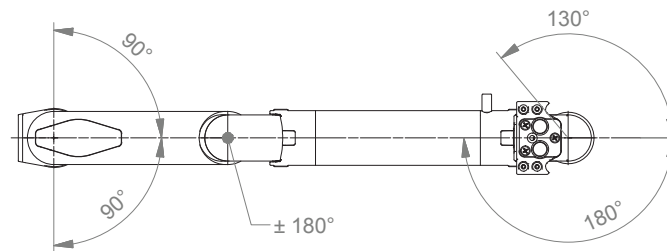
Extended height adjustable arm

Technical data

SIDE VIEW



TOP VIEW



High position height adjustable arm



Monitor adaption	prepared to accept Philips table top mount
Height adjustment	slow-flowing spring, parallel linkage for a constant viewing angle
Colours to choose	decorative parts RAL 5013 cobalt blue / RAL 7024 graphite grey aluminum parts RAL 9016 traffic white / RAL 9002 grey white
Max. load capacity support arm	22 kg / 48.5 lbs
Max. load monitor adaption	22 kg / 48.5 lbs
Product weight	4.1 kg / 9.0 lbs
Balancing range	600 N (2-5 kg / 4.4-11 lbs); 950 N (4-9 kg / 8.8-19.8 lbs); 1300 N (7.5-13 kg / 16.5-28.7 lbs); 1750 N (13-16 kg / 28.7-35.3 lbs); 2200 N (16-22 kg / 35.3-48.5 lbs)
Part number	A-531PH-Y.CD_X

Fixings

Y | details page 44



4U

Adapter for vertical wall channel



3

Vertical rail clamp



3DR
3TX

Dual vertical rail clamp



1
1B
1F
1C
1V

Fixed / universal pole clamp



13

Adapter for Mindray medical supply units



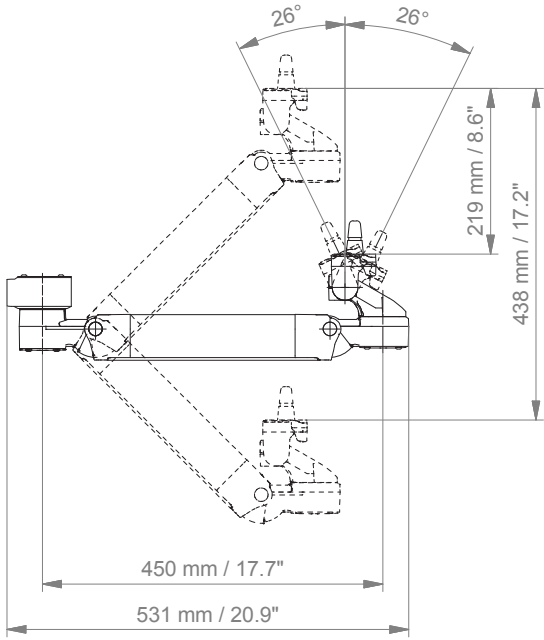
17

Adapter for Amico pendants & headwalls

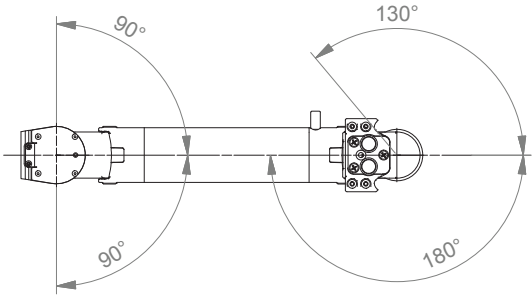
High position height adjustable arm

Technical data

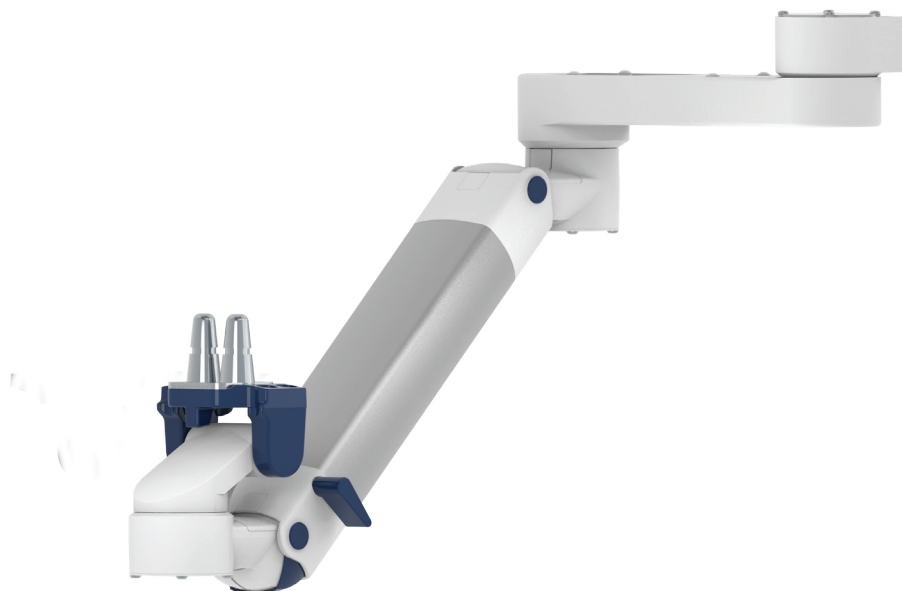
SIDE VIEW



TOP VIEW



Extended high position height adjustable arm



Monitor adaption	prepared to accept Philips table top mount
Height adjustment	slow-flowing spring, parallel linkage for a constant viewing angle
Colours to choose	decorative parts RAL 5013 cobalt blue / RAL 7024 graphite grey aluminum parts RAL 9016 traffic white / RAL 9002 grey white
Max. load capacity support arm	22 kg / 48.5 lbs
Max. load monitor adaption	22 kg / 48.5 lbs
Product weight	5.2 kg/ 11.5 lbs
Balancing range	600 N (2-5 kg / 4.4-11 lbs); 950 N (4-9 kg / 8.8-19.8 lbs); 1300 N (7.5-13 kg / 16.5-28.7 lbs); 1750 N (13-16 kg / 28.7-35.3 lbs); 2200 N (16-22 kg / 35.3-48.5 lbs)
Part number	A-83130PH-Y.CD_X

Fixings

Y | details page 44



4U

Adapter for vertical wall channel



3

Vertical rail clamp



3DR
3TX

Dual vertical rail clamp



1
1B
1F
1C
1V

Fixed / universal pole clamp



13

Adapter for Mindray medical supply units



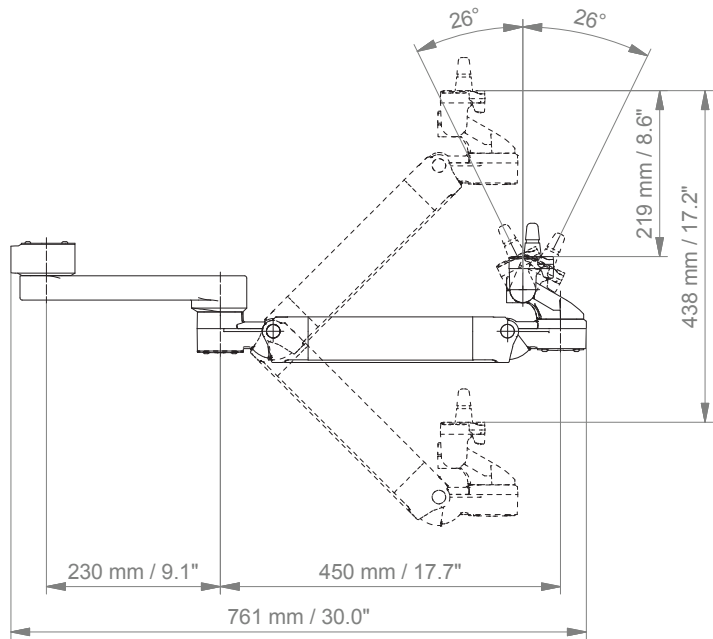
17

Adapter for Amico pendants & headwalls

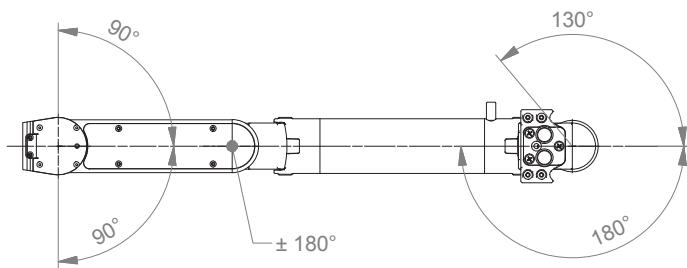
Extended high position height adjustable arm

Technical data

SIDE VIEW



TOP VIEW



Counter top

**Monitor adaption**

prepared to accept Philips table top mount

Colours to choose

decorative parts RAL 5013 cobalt blue / RAL 7024 graphite grey
aluminum parts RAL 9016 traffic white / RAL 9002 grey white

Max. load monitor adaptation

18 kg / 39.7 lbs

Part number

counter top with base plate (see illustration)

T-HPH-60.CD_50 height 50 mm / 2"

T-HPH-60.CD_120 height 120 mm / 4.7"

counter top without base plate

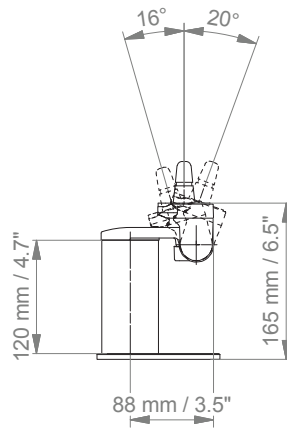
T-HPH-69.CD_50 height 50 mm / 2"

T-HPH-69.CD_120 height 120 mm / 4.7"

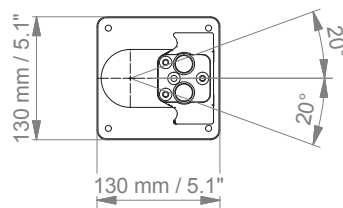
Counter top

Technical data - with base plate

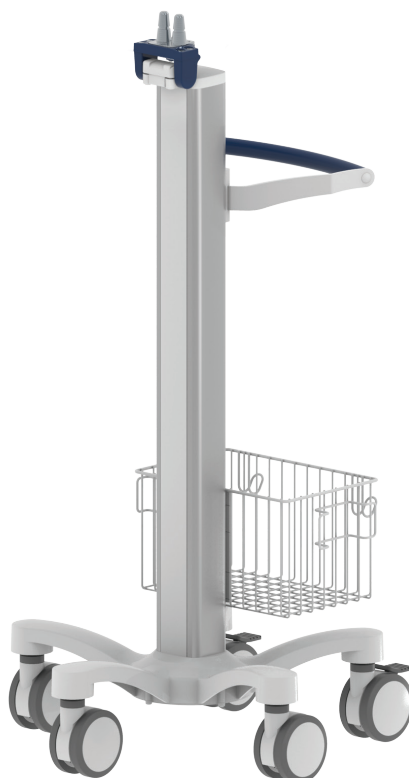
SIDE VIEW



TOP VIEW



Cart light duty

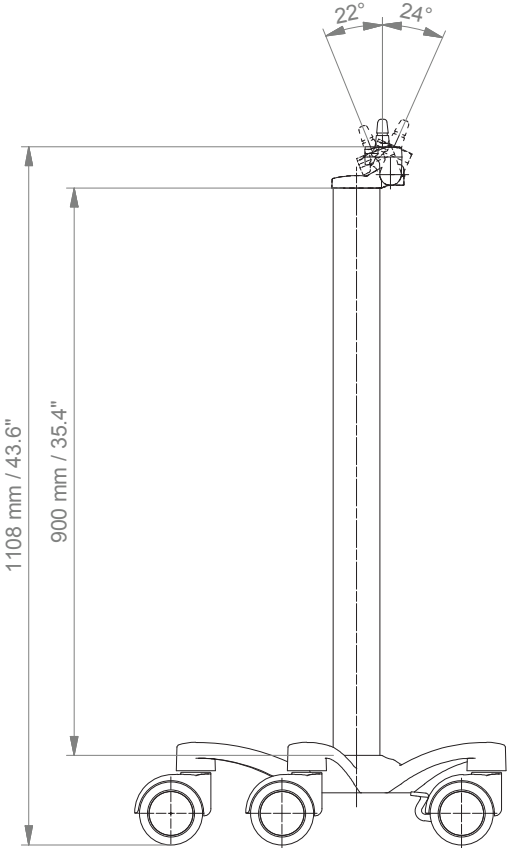


Monitor adaption	prepared to accept Philips table top mount
Accessories	5-star base aluminum base with counter weight double wheel castors, \varnothing 100 mm/ 3.9", 2 lockable column to accept components and accessories on opposite sides
Colours to choose	decorative parts RAL 5013 cobalt blue / RAL 7024 graphite grey base RAL 9016 traffic white / RAL 5013 cobalt blue handle RAL 9016 traffic white / RAL 5013 cobalt blue / RAL 7024 graphite grey
Max. load capacity	14 kg / 30.9 lbs
Optional accessories	basket big 300 x 200 x 180 mm/ 11.8 x 7.9 x 7.1" basket small 200 x 150 x 100 mm/ 7.9 x 5.9 x 3.9" handle
Part number	cart R-002PH.CD basket big Z-51-4Z basket small Z-52-4Z handle Z-HD-4.C1

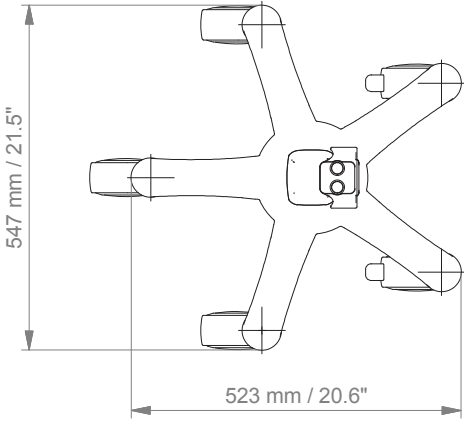
Cart light duty

Technical data

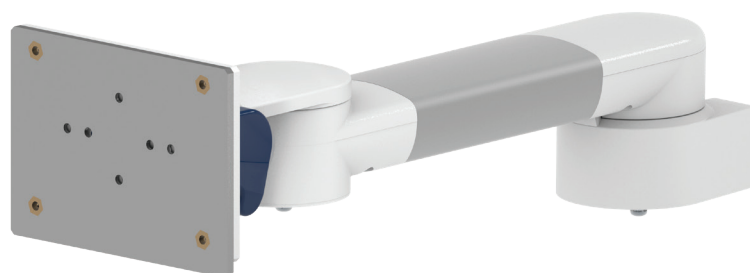
SIDE VIEW



TOP VIEW



Support arm pivot for FMS



Monitor adaption

adapter for FMS

Colours to choose

decorative parts RAL 5013 cobalt blue / RAL 7024 graphite grey
 aluminum parts RAL 9016 traffic white / RAL 9002 grey white

Max. load capacity support arm

18 kg / 39.7 lbs

Max. load monitor adaptation

18 kg / 39.7 lbs

Product weight

arm type 240 arm type 300
 1.6 kg/ 3.5 lbs 1.7 kg/ 3.8 lbs

Part number

arm type 240 arm type 300
 A-224FMS-Y.CD A-230FMS-Y.CD

Fixings

Y | details page 44 and 45



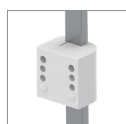
4V

Adapter for vertical wall channel



2F

Fixed rail clamp



3

Vertical rail clamp



3DR
3TX

Dual vertical rail clamp



1
1B
1F
1C
1V

Fixed / universal pole clamp



13

Adapter for Mindray medical supply units



17

Adapter for Amico pendants & headwalls



9

Adapter for Löwenstein Medical anaesthesia machines



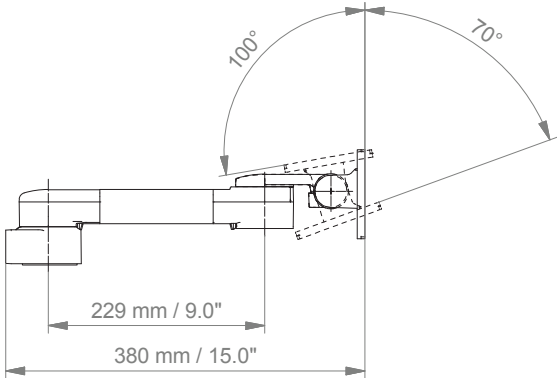
4K

Adapter for anaesthesia machines with existing side channel

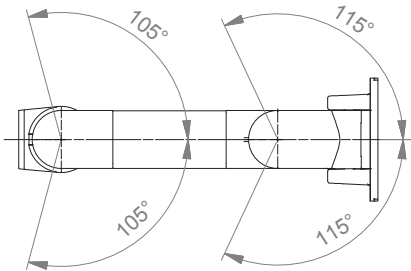
Support arm pivot for FMS

Technical data - arm type 300

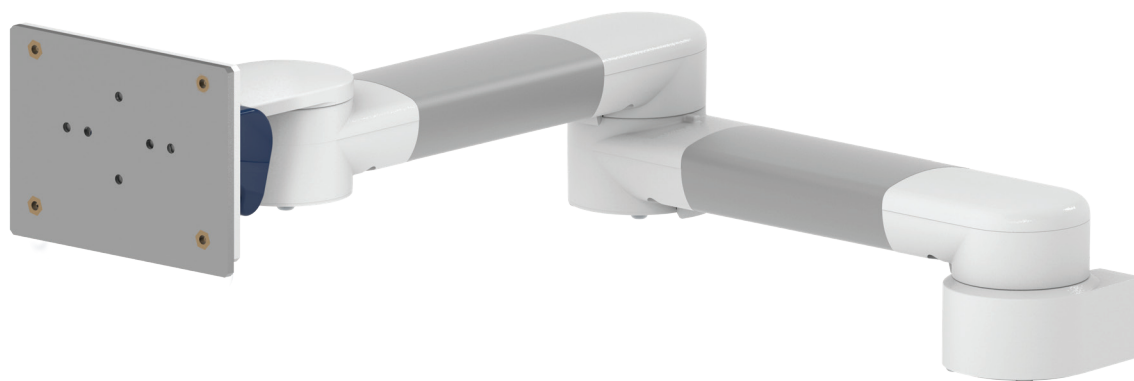
SIDE VIEW



TOP VIEW



Extended pivot arm light duty for FMS



Monitor adaption

adapter for FMS

Colours to choose

decorative parts RAL 5013 cobalt blue / RAL 7024 graphite grey
 aluminum parts RAL 9016 traffic white / RAL 9002 grey white

Max. load capacity support arm

8 kg / 17.6 lbs

Max. load monitor adaption

8 kg / 17.6 lbs

Product weight

arm type 240	arm type 300
2.4 kg / 5.3 lbs	2.6 kg / 5.7 lbs

Part number

arm type 240	arm type 300
A-32424FMS-Y.CD	A-33030FMS-Y.CD

Fixings

Y | details page 44 and 45



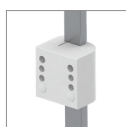
4V

Adapter for vertical wall channel



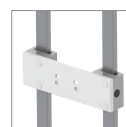
2F

Fixed rail clamp



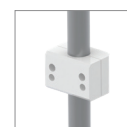
3

Vertical rail clamp



3DR
3TX

Dual vertical rail clamp



1
1B
1F
1C
1V

Fixed / universal pole clamp



13

Adapter for Mindray medical supply units



17

Adapter for Amico pendants & headwalls



9

Adapter for Löwenstein Medical anaesthesia machines



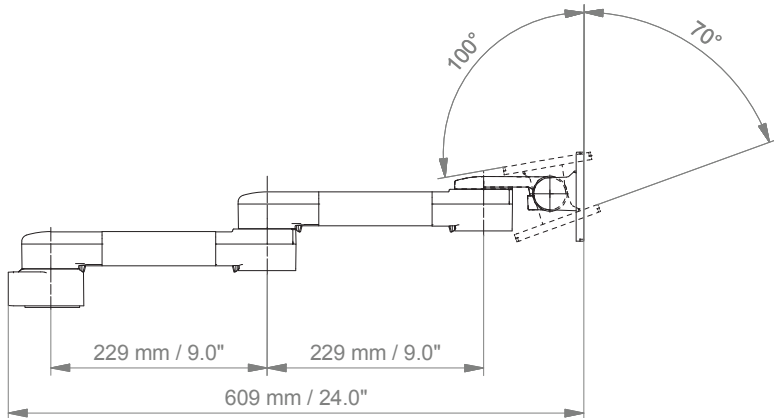
4K

Adapter for anaesthesia machines with existing side channel

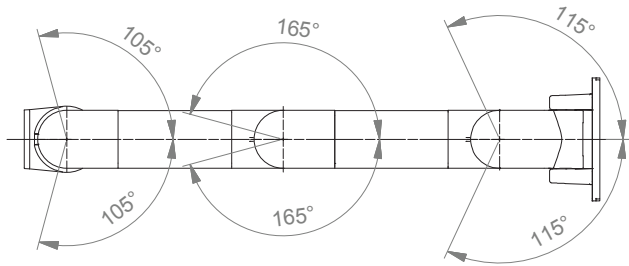
Extended pivot arm light duty for FMS

Technical data - arm type 300

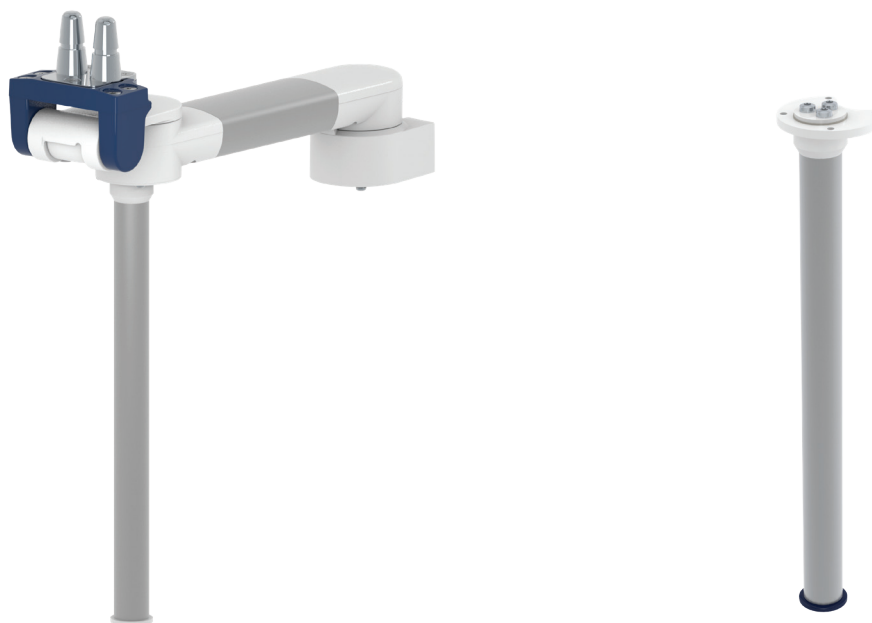
SIDE VIEW



TOP VIEW



Down post for IntelliVue FMS



Part number

To attach to non-height adjustable arms

Z-DPR-70.CD_150 rotatable, length 150 mm / 5.9"

Z-DPR-70.CD_300 rotatable, length 300 mm / 11.8"

To attach to height adjustable arms

Z-DPR-71.CD_150 rotatable, length 150 mm / 5.9"

Z-DPR-71.CD_300 rotatable, length 300 mm / 11.8"

Mount for MP2/ X2/ X3

MP2/ X2/ X3 mount with power supply

- Part no. Z-MP2PS-6 universal horizontal rail clamp
- Part no. Z-MP2PS-3 vertical rail clamp
- Part no. Z-MP2PS-4Z adapter for vertical wall channel (illustration)
- Part no. Z-MP2PS-1V universal pole clamp

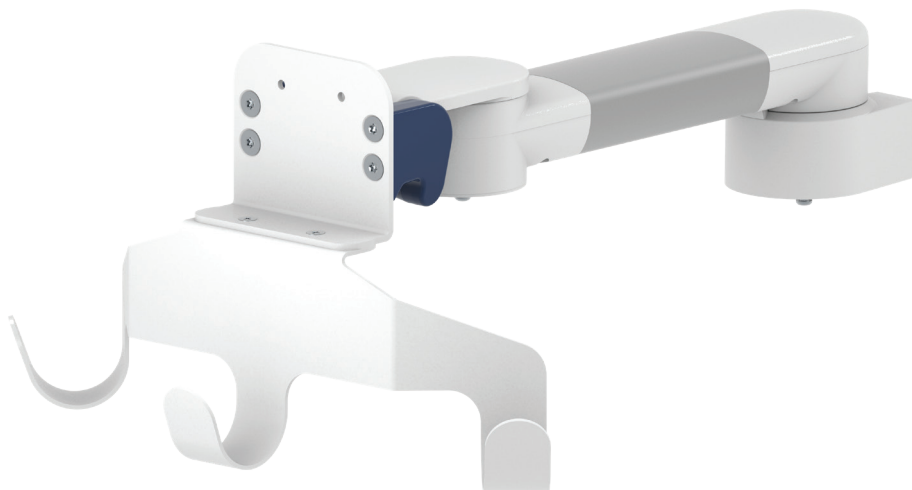


MP2/ X2/ X3 mount without power supply

- Part no. Z-MP2-6 universal horizontal rail clamp
- Part no. Z-MP2-3 vertical rail clamp
- Part no. Z-MP2-4Z adapter for vertical wall channel (illustration)
- Part no. Z-MP2-1V universal pole clamp



Support arm pivot for MP2/ X2/ X3



Monitor adaption

adapter for MP2/ X2/ X3

Colours to choose

decorative parts RAL 5013 cobalt blue / RAL 7024 graphite grey
 aluminum parts RAL 9016 traffic white / RAL 9002 grey white

Max. load capacity support arm

18 kg / 39.7 lbs

Max. load monitor adaptation

18 kg / 39.7 lbs

Product weight

arm type 240	arm type 300	
2.1 kg / 4.6 lbs	2.2 kg / 4.9 lbs	without power supply (illustration)
2.3 kg / 5.1 lbs	2.4 kg / 5.3 lbs	with power supply

Part number

arm type 240	arm type 300	
A-224MP2-Y.CD	A-230MP2-Y.CD	without power supply (illustration)
A-224MP2PS-Y.CD	A-230MP2PS-Y.CD	with power supply

Fixings

Y | details page 44 and 45



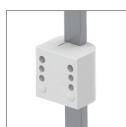
4V

Adapter for vertical wall channel



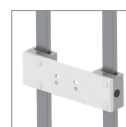
2F

Fixed rail clamp



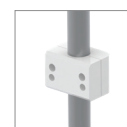
3

Vertical rail clamp



3DR
3TX

Dual vertical rail clamp



1
1B
1F
1C
1V

Fixed / universal pole clamp



13

Adapter for Mindray medical supply units



17

Adapter for Amico pendants & headwalls



9

Adapter for Löwenstein Medical anaesthesia machines



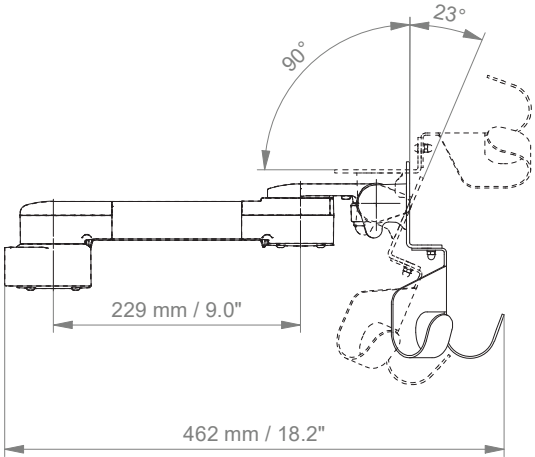
4K

Adapter for anaesthesia machines with existing side channel

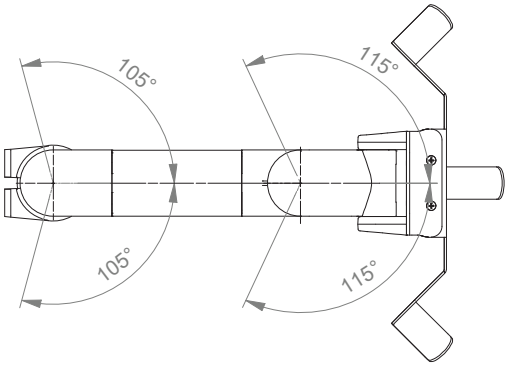
Support arm pivot for MP2/ X2/ X3

Technical data - arm type 300

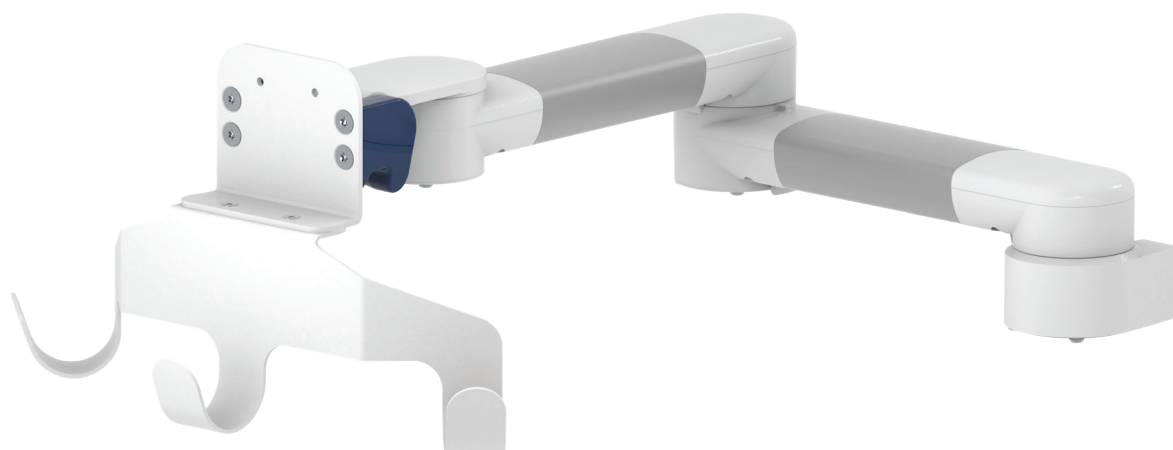
SIDE VIEW



TOP VIEW



Extended pivot arm light duty for MP2/ X2/ X3



Monitor adaption

adapter for MP2/ X2/ X3

Colours to choose

decorative parts RAL 5013 cobalt blue / RAL 7024 graphite grey
 aluminum parts RAL 9016 traffic white / RAL 9002 grey white

Max. load capacity support arm

8 kg / 17.6 lbs

Max. load monitor adaption

8 kg / 17.6 lbs

Product weight

3.2 kg / 7.1 lbs without power supply (illustration)
 3.4 kg / 7.5 lbs with power supply

Part number

A-33030MP2-Y.CD without power supply (illustration)
 A-33030MP2PS-Y.CD with power supply

Fixings

Y | details page 44 and 45



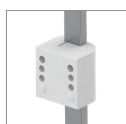
4V

Adapter for vertical wall channel



2F

Fixed rail clamp



3

Vertical rail clamp



3DR
3TX

Dual vertical rail clamp



1
1B
1F
1C
1V

Fixed / universal pole clamp



13

Adapter for Mindray medical supply units



17

Adapter for Amico pendants & headwalls



9

Adapter for Löwenstein Medical anaesthesia machines



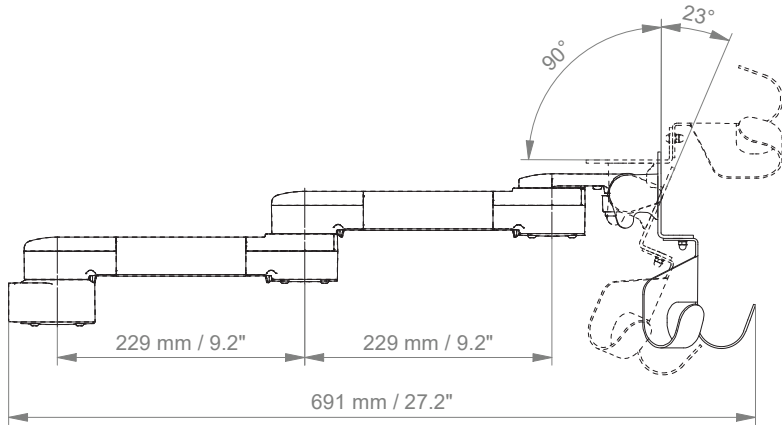
4K

Adapter for anaesthesia machines with existing side channel

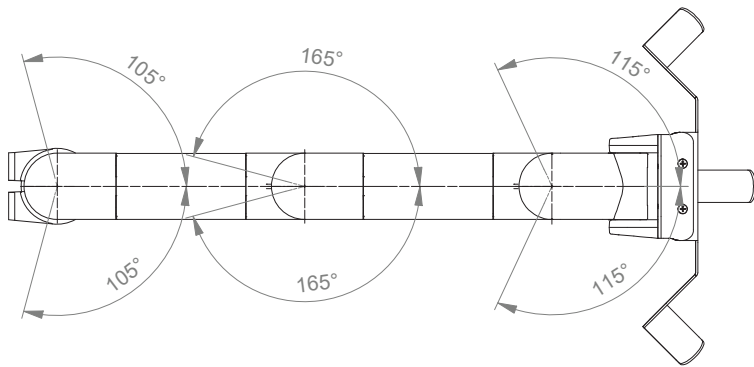
Extended pivot arm light duty for MP2/ X2/ X3

Technical data

SIDE VIEW



TOP VIEW



Support arm pivot for MP2/ X2/ X3, without cable hook



Monitor adaption

adapter for MP2/ X2/ X3

Colours to choose

decorative parts RAL 5013 cobalt blue / RAL 7024 graphite grey
 aluminum parts RAL 9016 traffic white / RAL 9002 grey white

Max. load capacity support arm

18 kg / 39.7 lbs

Max. load monitor adaption

18 kg / 39.7 lbs

Product weight

arm type 240	arm type 300
1.5 kg / 3.3 lbs	1.7 kg / 3.7 lbs

Part number

arm type 240	arm type 300
A-224X2X3-Y.CD	A-230X2X3-Y.CD

Fixings

Y | details page 44 and 45



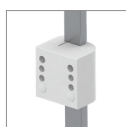
4V

Adapter for vertical wall channel



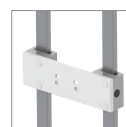
2F

Fixed rail clamp



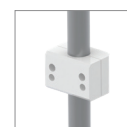
3

Vertical rail clamp



3DR
3TX

Dual vertical rail clamp



1
1B
1F
1C
1V

Fixed / universal pole clamp



13

Adapter for Mindray medical supply units



17

Adapter for Amico pendants & headwalls



9

Adapter for Löwenstein Medical anaesthesia machines



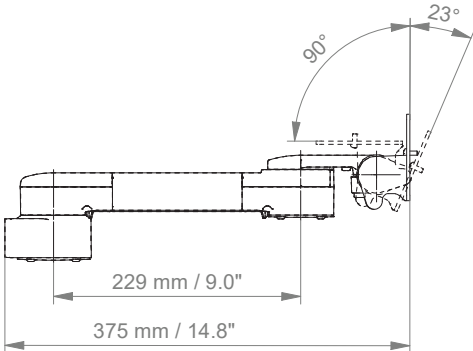
4K

Adapter for anaesthesia machines with existing side channel

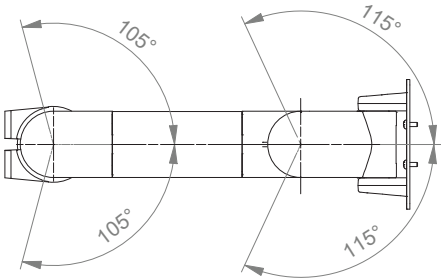
Support arm pivot for MP2/ X2/ X3, without cable hook

Technical data - arm type 300

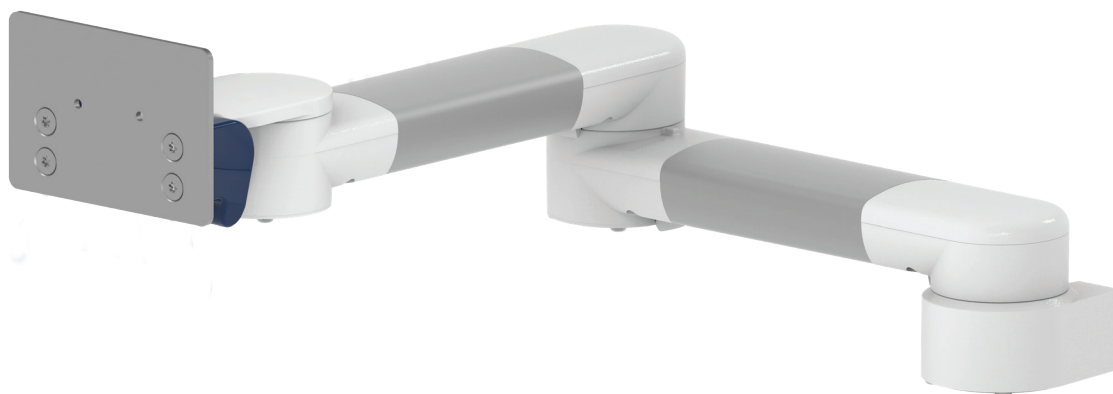
SIDE VIEW



TOP VIEW



Extended pivot arm light duty for MP2/ X2/ X3, without cable hook



Monitor adaption

adapter for MP2/ X2/ X3

Colours to choose

decorative parts RAL 5013 cobalt blue / RAL 7024 graphite grey
 aluminum parts RAL 9016 traffic white / RAL 9002 grey white

Max. load capacity support arm

8 kg / 17.6 lbs

Max. load monitor adaption

8 kg / 17.6 lbs

Product weight

2.6 kg / 5.7 lbs

Part number

A-33030X2X3-Y.CD

Fixings

Y | details page 44 and 45



4V

Adapter for vertical wall channel



2F

Fixed rail clamp



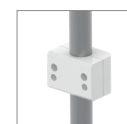
3

Vertical rail clamp



3DR
3TX

Dual vertical rail clamp



1
1B
1F
1C
1V

Fixed / universal pole clamp



13

Adapter for Mindray medical supply units



17

Adapter for Amico pendants & headwalls



9

Adapter for Löwenstein Medical anaesthesia machines



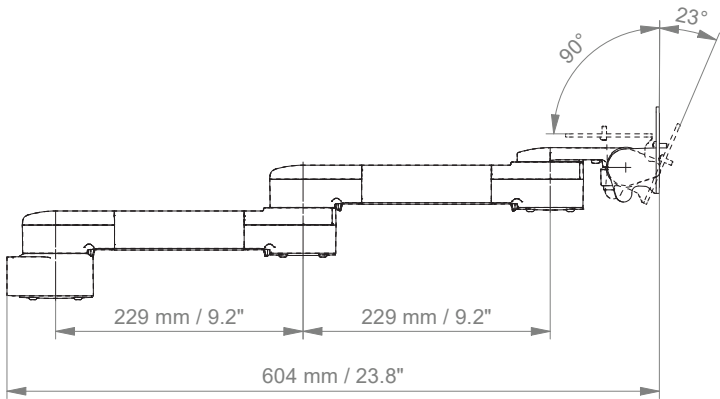
4K

Adapter for anaesthesia machines with existing side channel

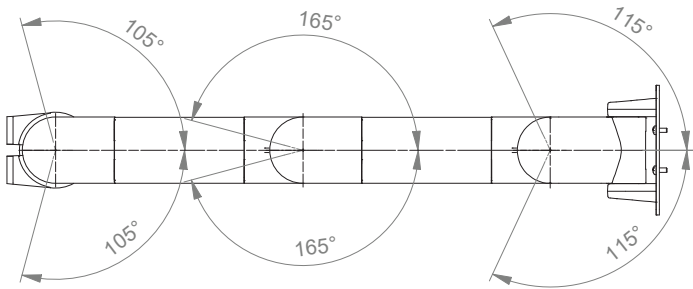
Extended pivot arm light duty for MP2/ X2/ X3, without cable hook

Technical data

SIDE VIEW



TOP VIEW



Height adjustable arm for MP2/ X2/ X3, without cable hook



Monitor adaption	adapter for MP2/ X2/ X3
Height adjustment	slow-flowing spring, parallel linkage for a constant viewing angle
Colours to choose	decorative parts RAL 5013 cobalt blue / RAL 7024 graphite grey aluminum parts RAL 9016 traffic white / RAL 9002 grey white
Max. load capacity support arm	22 kg / 48.5 lbs
Max. load monitor adaption	18 kg / 39.7 lbs
Product weight	3.5 kg / 7.7 lbs
Balancing range	240 N (0-3.5 kg / 0-7.7 lbs); 600 N (2-5 kg / 4.4-11 lbs)
Part number	A-431X2X3-Y.CD_X

Fixings

Y | details page 44 and 45



4V

Adapter for vertical wall channel



2F

Fixed rail clamp



3

Vertical rail clamp



3DR
3TX

Dual vertical rail clamp



1
1B
1F
1C
1V

Fixed / universal pole clamp



13

Adapter for Mindray medical supply units



17

Adapter for Amico pendants & headwalls



9

Adapter for Löwenstein Medical anaesthesia machines



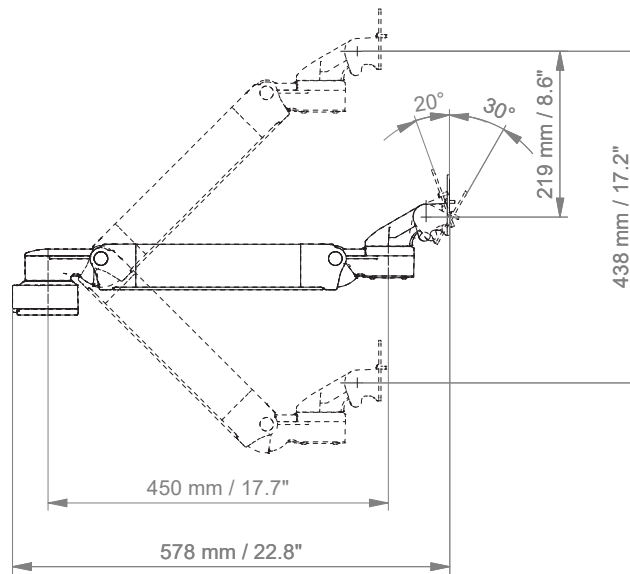
4K

Adapter for anaesthesia machines with existing side channel

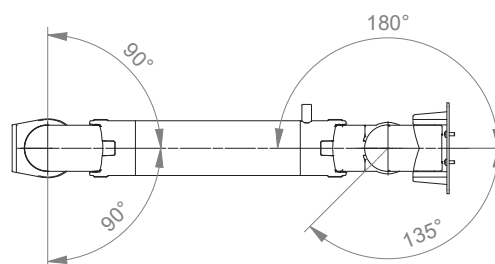
Height adjustable arm for MP2/ X2/ X3, without cable hook

Technical data

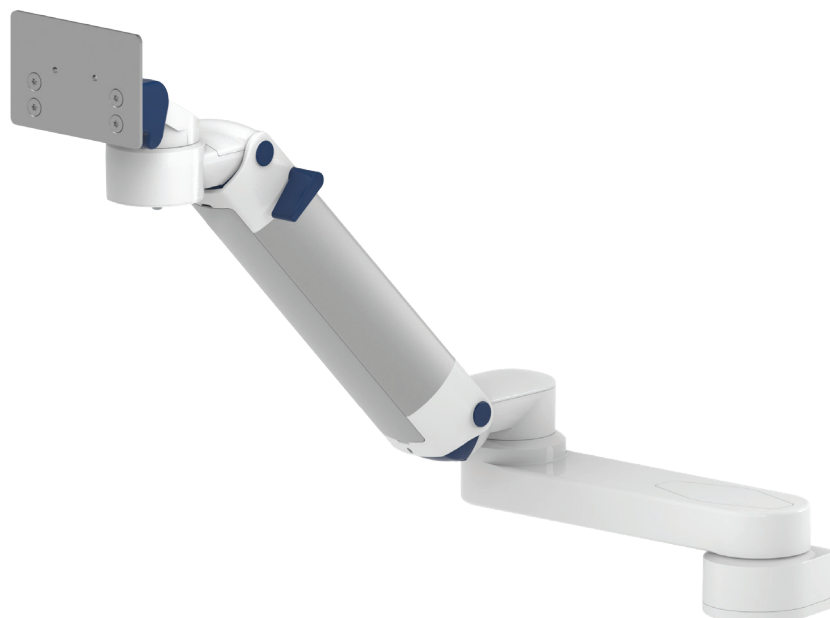
SIDE VIEW



TOP VIEW



Extended height adjustable arm for MP2/ X2/ X3, without cable hook



Monitor adaption	adapter for MP2/ X2/ X3
Height adjustment	slow-flowing spring, parallel linkage for a constant viewing angle
Colours to choose	decorative parts RAL 5013 cobalt blue / RAL 7024 graphite grey aluminum parts RAL 9016 traffic white / RAL 9002 grey white
Max. load capacity support arm	22 kg / 48.5 lbs
Max. load monitor adaptation	18 kg / 39.7 lbs
Product weight	4.5 kg / 9.9 lbs
Balancing range	240 N (0-3.5 kg / 0-7.7 lbs); 600 N (2-5 kg / 4.4-11 lbs)
Part number	A-73130X2X3-Y.CD_X

Fixings

Y | details page 44 and 45



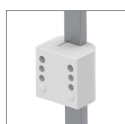
4V

Adapter for vertical wall channel



2F

Fixed rail clamp



3

Vertical rail clamp



3DR
3TX

Dual vertical rail clamp



1
1B
1F
1C
1V

Fixed / universal pole clamp



13

Adapter for Mindray medical supply units



17

Adapter for Amico pendants & headwalls



9

Adapter for Löwenstein Medical anaesthesia machines



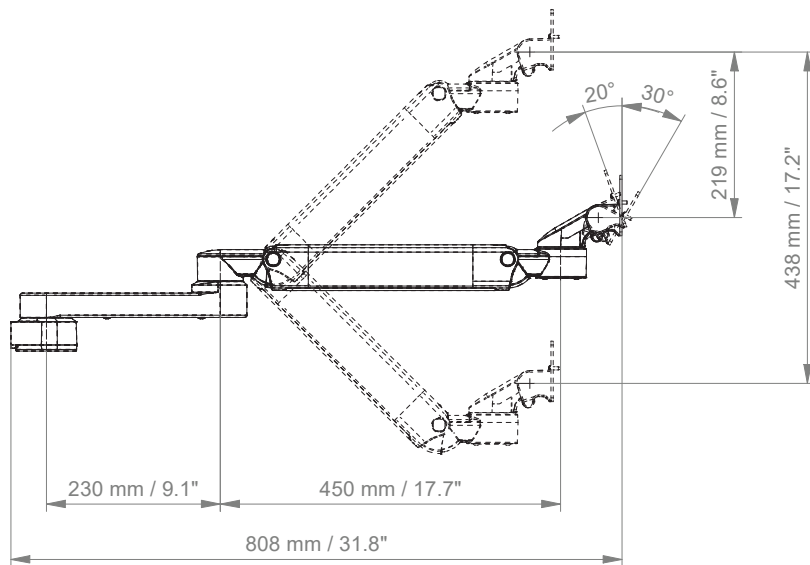
4K

Adapter for anaesthesia machines with existing side channel

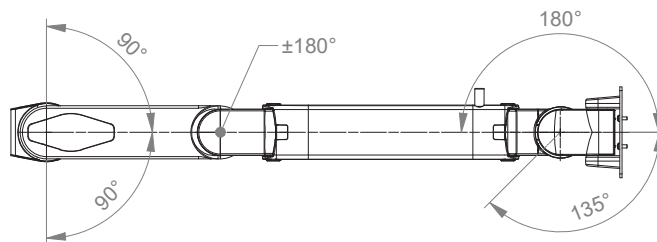
Extended height adjustable arm for MP2/ X2/ X3, without cable hook

Technical data

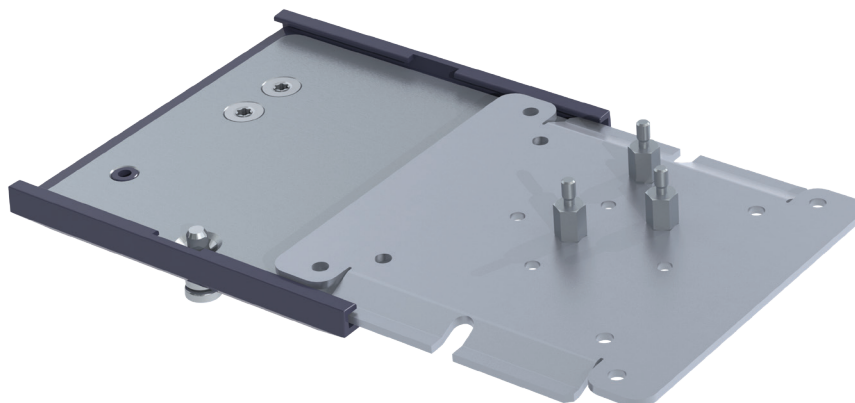
SIDE VIEW



TOP VIEW



Monitor-specific mounting adapter for Philips monitoring



Monitor Description	Description	Part No.
Sure Signs / Vital Signs	Mounting adapter for 5" plunge plate	PH-AP-SS
Efficia CM100 / CM120 / CM150	Mounting adapter for 5" plunge plate	PH-AP-EF









Adapter plates are intended for CIM products only.

These part numbers are valid only when ordered in combination with CIM support arms, carts or counter tops.
 Adapter plates ordered separately are subject to prior approval. Please note that in this case part numbers and prices will change.

Adapter plates for Sure Signs/ Vital Signs require a 5" plunge plate. You will find mounting solutions with 5" mounting plate in the catalogue: 5" plunge plate adaptation.





Fixings



Illustration	Description	Notes	Part no.
	Adapter for vertical wall channel	To mount to CIM wall channel (compatible with GCX channel) For arms with high mounting positions Please order separately: CIM wall channel, see catalogue accessoires	4V 4U
	Fixed rail clamp	To mount to horizontal European rails 10 x 25, 8 x 35, 10 x 30, 10 x 50 mm	2F
	Vertical rail clamp	To mount to vertical European rail 10 x 25 mm	3
	Dual vertical rail clamp	To mount to two parallel vertical European rails 10 x 50 mm Distance between rails 150 mm / 5.9", e.g. Dräger pendant Distance between rails 225 mm / 8.9", e.g. Trilux pendant	3DR 3TX
	Fixed pole clamp	To mount to pole \varnothing 25 mm / 1.0" To mount to pole \varnothing 30 mm / 1.2" To mount to pole \varnothing 35 mm / 1.4" To mount to pole \varnothing 38 mm / 1.5"	1 1B 1F 1C
	Universal pole clamp	V-block to mount to pole \varnothing 23 - 40 mm / 0.9 - 1.6"	1V
	Adapter medical supply units	For Mindray medical supply units	13
	Adapter pendants & headwalls	For Amico pendants & headwalls	17

Fixings for anaesthesia machines



Illustration	Description	Notes	Part no.	
	Adapter for Löwenstein Medical anaesthesia machines	Adapter for Leon / Leon plus	9	
	Adapter for anaesthesia machines (all suppliers)	H 80 mm / 3.1" With existing side channel	4K	
If your anaesthesia machine does not have a side channel already mounted to the machine, please order the following in addition to 4K:				
	Adapter for Dräger	Dräger Primus / Julian / Cato / Fabius GS / Zeus side channel adapter L 127 mm / 5" side channel adapter L 320 mm / 12.6" side channel adapter L 480 mm / 18.9" side channel adapter L 210 mm / 8.3"	DR-J01 DR-J02 DR-J03 DR-J06	
				
		Adapter for GE	GE Avance / Aespire / Aestiva side channel adapter L 200 mm / 7.9" side channel adapter L 350 mm / 13.8"	DX-AES-01 DX-AES-02
				

