

# Series 4

Reading Lamp



## LED

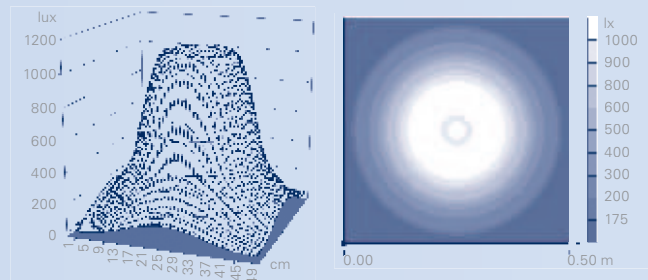
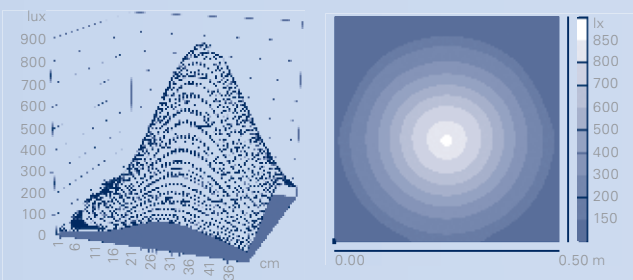
+ TÜV approved, safe and long-lasting high-power ceramics LED with replaceable glass lens

Light source	LED 12 V / 5 W, 36°
Light colour	4.000 K
Light output	1.480 lux / 500 mm
Luminous flux	230 lm
Life expectancy	25.000 h (light source)
Electrical mains	100 –240 V, 50 – 60 Hz
Colour rendering index Ra	80
optional	international plug, with wide range power supply (without orientation light)

## Halogen

+ latest halogen technology with cold light reflector

Light source	halogen bulb with cold light reflector, 12 V / 10 W, 38°
Light colour	3.000 K
Light output	appr. 520 lux / 500 mm
Working radius	appr. 2.000 h (light source)
Electrical mains	230 V, 50 – 60 Hz

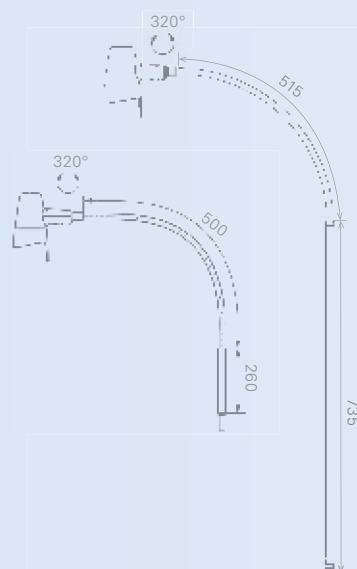




## Lamp with Flexible Gooseneck Arm

**+ robust plastic covered, flexible gooseneck arm**

Colour of lamp	white or silver
Switch	at lamp head
Working radius	appr. 600 mm
Joint pin	Ø 18, L 35 mm
Total length	appr. 830 <sup>1</sup> / 1.380 <sup>2</sup> mm
Orientating light	integrated in switch
Transformer	plug transformer
Operating mode	continuous use
optional	cord switch



white	silver	weight	
L400069A	L400069S	appr. 1,2 kg	LED short version <sup>1</sup>
L400079A	L400079S	appr. 1,75 kg	LED long version <sup>2</sup>
L400025A	L400025S	appr. 1,75 kg	halogen short version <sup>1</sup>
L400035A	L400035S	appr. 1,75 kg	halogen long version <sup>2</sup>

