



WAARDENBURG
MEDICAL

Derungs 
MEDICAL LIGHTING

OPTICLUX
LED MAGNIFIER LUMINAIRE



reddot award 2018
winner



Your working comfort is our mission.

OPTICLUX has everything a modern magnifier luminaire is meant to have: a robust magnifier with 1.9x magnification, the latest LED modules, ergonomically tested arm joints and intuitive operation. OPTICLUX's biggest plus is its daylight-quality light field, its outstanding color rendering properties and its maintenance-free life cycle. As an approved medical device, it can be versatilely used in dermatology, human medicine, dentistry and veterinary medicine, in laboratories and for monitoring sterilized products.

OPTICLUX MAGNIFIER LUMINAIRE



Ergonomic handling

Spring balanced arm and friction joints allow smooth handling without the luminaire head sinking



Long service life

Premium acrylic lens and precision components ensure strong durability



Flexible positioning

Long luminaire arm allows a broad reach up to 142 cm radius



reddot award 2018
winner

suitable for
Laboratories,
medical practices,
clinics, etc.

**APPROVED
MEDICAL DEVICE**

compliant with

EN 60601-1



Excellent light field

Due to large magnifier diameter (\varnothing 160 mm, 3.5 dpt) and strong, dimmable illumination (6 000 lx / 0.15 m)



Reliable color rendering

Very good scratch-resistant 6 500 K LEDs ensure less shadow formation and optimal color rendering (CRI / Ra > 93, R9 > 90, R13 > 95)



Special for dermatology *

Two lighting modes in one device: optional Wood light for examining fluorescent lesions and pigment changes

*Depending on version

OPTICLUX
LIGHTS ON!
IN THE PRACTICE AND IN THE LAB.



OPTICLUX – Seeing far beyond the average.

Magnifier luminaires are a dime a dozen. But very few are tested medical devices according to EN 60601-1. With its unique light quality and sophisticated design, OPTICLUX is ideal for use in various fields of medicine.

OPTICLUX

Eases the eyes

90 LEDs ensure homogeneous, low-shadow illumination; individual adjustment with step-free dimming, high translucence due to special lens material

Precise positioning

Light arm made of aluminum and a fiberglass-reinforced friction joints ensure long life and highly accurate positioning despite low weight

More economical, reliable use

High-efficiency LED light technology saves energy and allows maintenance-free operation.

Simple, versatile mounting options

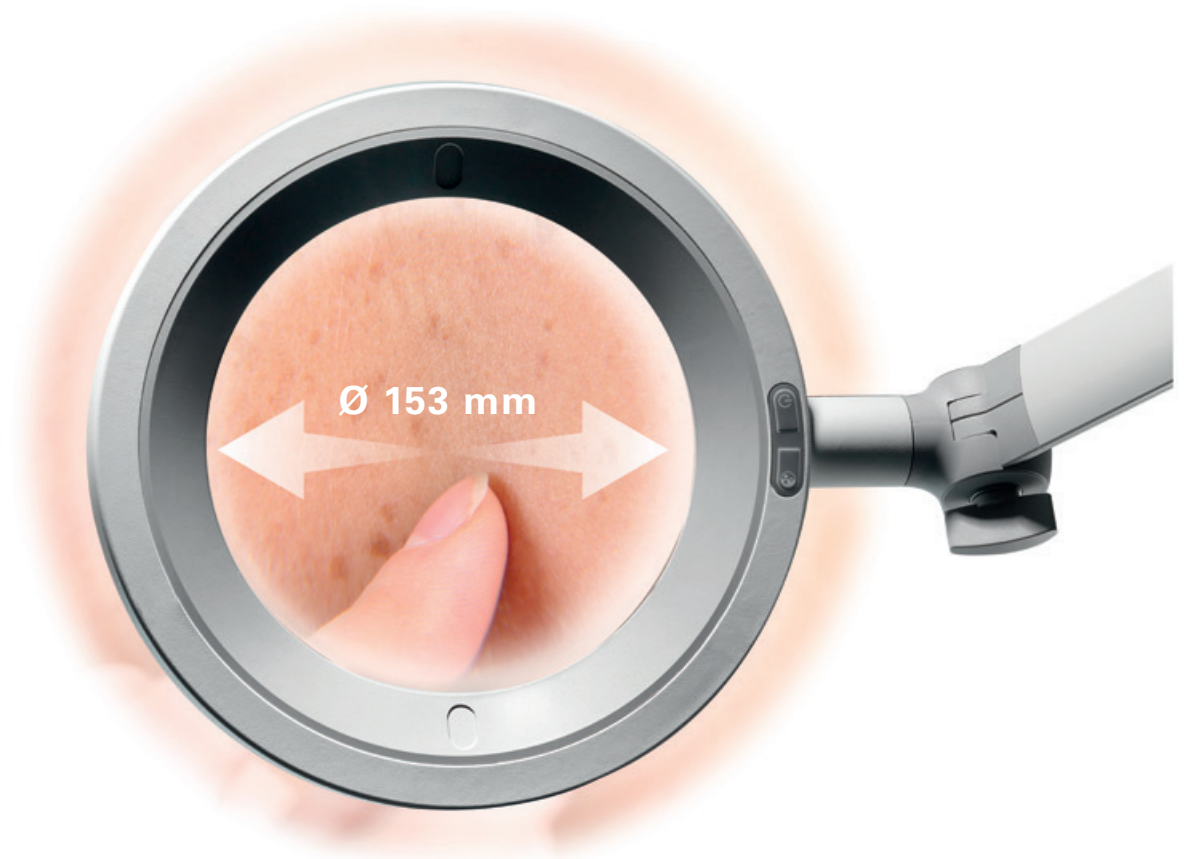
The only magnifier luminaire in its segment that is available as a ceiling version and a pin version with fastening accessories for walls, tables, rails and roller stands

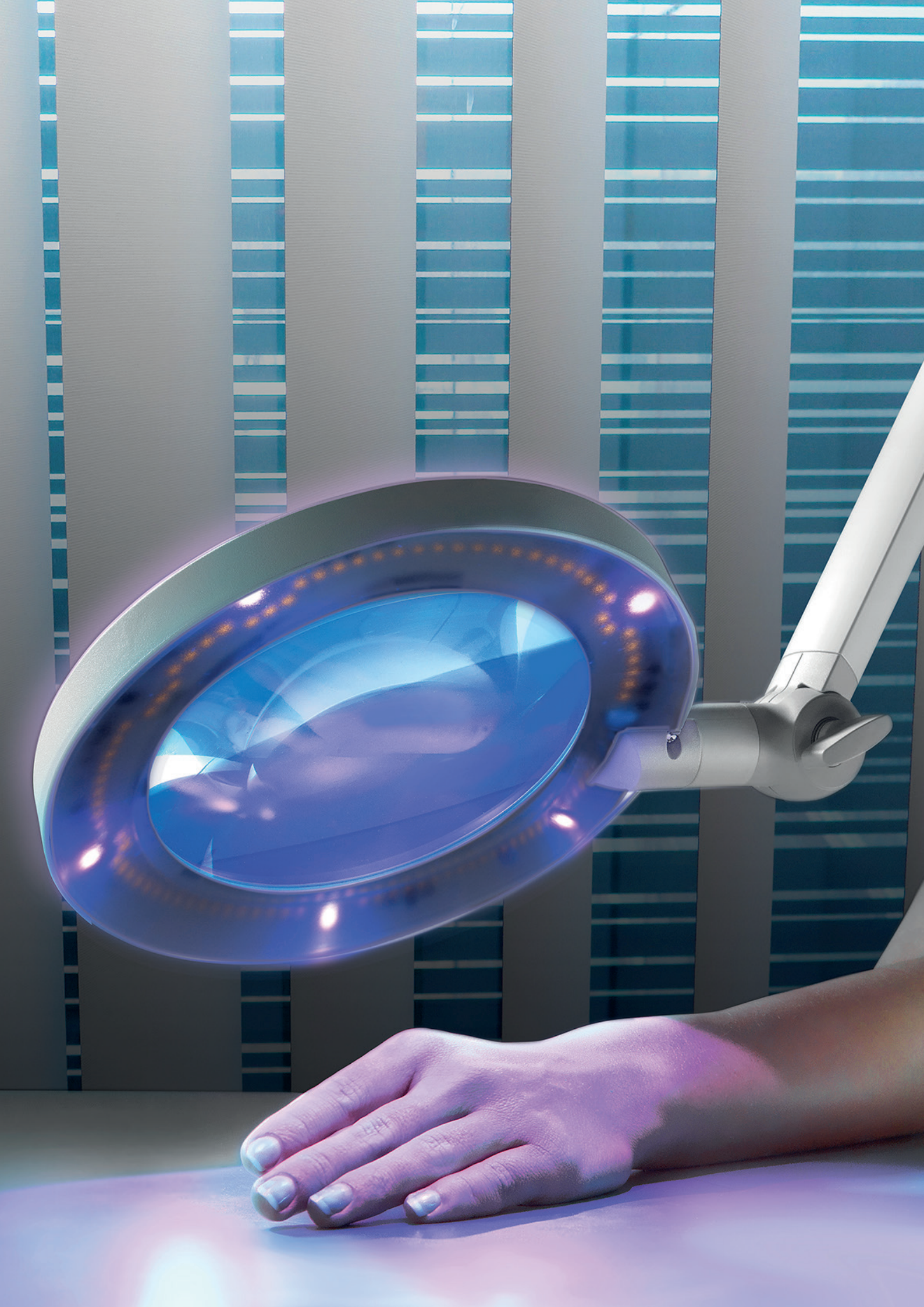
Easy cleaning

Lens cover, keypad and premium housing for fast cleaning

Very good color rendering

Especially skin and red tones are reproduced close to optimal daylight; color rendering Opticlux CRI / Ra > 93, R9 > 90, R13 > 95







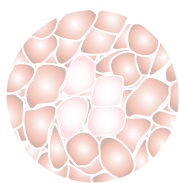
OPTICLUX with Wood light.

The special model variant for dermatologists, veterinarians and forensic medicine combines two lighting modes in one device: daylight white illumination and Wood light. This means that different examinations can be performed with just one light. Other Wood luminaires require the room to be completely darkened. Thanks to powerful BLB LEDs, the Opticlux doesn't need this. That means more time for the patient.

For radiation of certain dermatomycoses to obtain diagnostic indications based on the fluorescence that occurs:

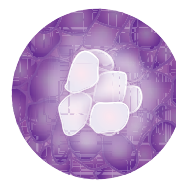
- ERYTHRASMA (red fluorescence)
- MICROSPORIA (weak green fluorescence)
- FAVUS (bilious green fluorescence)
- TRICHOBACTERIOSIS AXILLARIS (yellow ochre colored fluorescence)
- PITYRIASIS VERSICOLOR (yellow ochre colored fluorescence)
- TUBEROUS SCHLEROSIS (blue-white fluorescence versus normal skin)
- VITILIGO (blue-white fluorescence of depigmented areas)
- SCABIES (gray-white mite tracks)

Also for fluorescence diagnostics (FD) for in-vivo diagnostics of dysplastic tissues and surface tumors in connection with local or systemically applied pigment, such as PPIX or 5-ALA.



**LED light
& dimming**

Skin under daylight-simulating
LED light



**Wood light
(365 nm)**

Accurate diagnosis: Skin changes appear differently under Wood light,
such as favus, types of intertrigo or erythrasma

ONE MAGNIFIER LUMINAIRE. MANY APPLICATIONS.

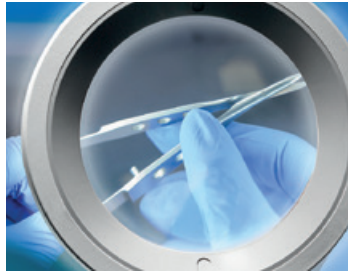


Dermatologists

Optimal examination conditions:

- Large magnifier diameter
- Ergonomic handling
- Very good color rendering R13 > 95

The Wood light version is recommended for optimal diagnosis of skin diseases.



Hospitals, outpatient clinics and practices

Other uses:

- Ideal magnification for inspecting sterilized goods
- Approved medical device for examinations
- Minor treatments
- Outstanding light quality
- Color rendering properties



Veterinarians

Free hand:

- Flexible mounting on ceiling, wall or roller stand
- Large light field
- Optimal magnification for examination and treatment of various animals

The Wood light version is recommended for optimal diagnosis of skin diseases.



ceiling version



connection to a rail



Dental technicians

Outstanding lighting properties:

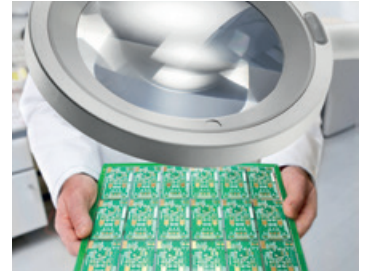
- Step-free dimming
- 3.5-dpt magnification
- Excellent color authenticity
CRI /Ra > 93 for the best results
and fatigue-free work



Laboratories

Details at a glance:

- Daylight-white LED light with
1.9x magnification
- Very homogeneous light field
- Precise, stable positioning with
no risk of the luminaire sinking



Quality control

Detect subtleties:

- Very bright, dimmable light
with optimal color rendering
- Large magnifier diameter
- Distortion-free magnification
supports systematic quality control



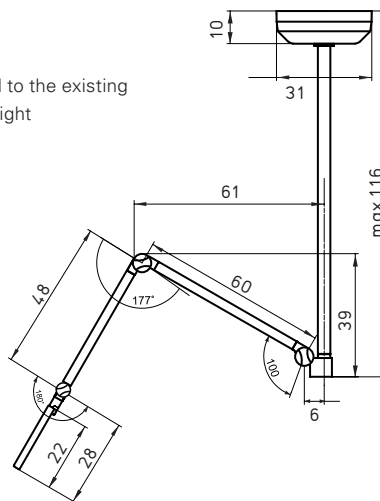
table clamp



roller stand

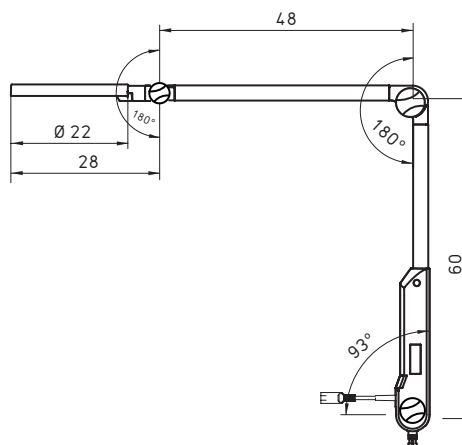


Can be adapted to the existing room ceiling height



Ceiling version

OPTICLUX - CEILING VERSION		Feature	Order No.
OPTICLUX 10-1 C T1	pure white / gray	direct power supply	D15.817.000
OPTICLUX 10-2 C T1	pure white / gray	direct power supply Wood light	D15.816.000



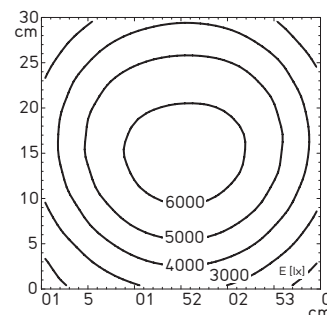
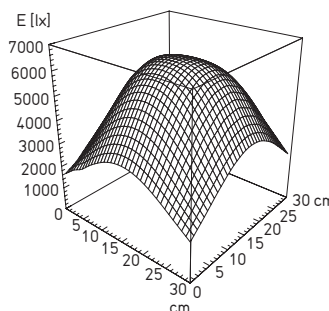
Pin version for various fastening systems

OPTICLUX - PIN VERSION		Feature	Order No.
OPTICLUX 10-1 P TX	pure white / gray	Euro	D15.815.000
OPTICLUX 10-1 P TX	pure white / gray	UK	D15.850.000
OPTICLUX 10-2 P TX	pure white / gray	Euro Wood light	D15.814.000
OPTICLUX 10-2 P TX	pure white / gray	UK Wood light	D15.851.000

OPTICLUX compact

- Color temperature daylight white 6 500 K *
- Scratch-resistant acrylic lens with 3.5 diopters
- Color rendering properties * CRI > 93, R9 > 90, R13 > 95
- Bright, homogeneous light field (6000 lx / 0.15 m *)
- Continuously dimmable
- Universal fastening
- Durable premium casing
- Optional Wood light: Peak at 365 nm

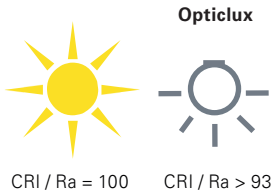
Illumination intensity
* -10%/+20% tolerance



What do the CRI/Ra values mean?

The Color Rendering Index (CRI, Ra) is an index for the naturalness of color. How well are the colors reproduced in comparison to sunlight?

- sunlight has a color rendering index of 100.
- At Ra 100, all of an object's colors are recognized as in optimal daylight.
- The higher the color rendering index, the more naturally the colors are reproduced.



CRI 100 = Full representation of the color spectrum



What do the color rendering properties mean?

In medicine, the red test color R9 plays a crucial role, because differentiation of various red tones in tissues and blood is especially important.

R13 is the "skin tone" test color and is generally very important in skin treatments (for better recognition of veins and blood vessels), especially in medical practice and cosmetics.

Test color R9



negative



positive

Test color R13



negative



positive

ACCESSORIES



Custom-fit lens cover

included with every delivery
Application: easy fixation on arm system, thanks to click function



ROLLER STAND RL	
Material	Steel
Composition	- Tube: white - Base: plastic - Casters: plastic double casters, with 5 brakes
Dimensions	1.0 m; Ø 700 mm
Weight (net)	7.5 kg
for pin Ø	16 mm-W with removal guard and cable suspension device
Order number	D15.595.000

EXTENSION ARM	
Material	Powder-coated steel / steel pipe
Dimensions	400 m, Ø 16 mm
Weight (net)	approx. 0.65 kg
for pin Ø	16 mm with removal protection
Capacity	2.5 kg
Order number	D13.363.000 - pure white



RAIL MOUNTING	
Material	Aluminum
Wall rail system	25-35 x 8-10 mm
Order number	D13.269.000



TABLE CLAMP	
Material	Polyamide steel
Order number	D14.228.000 - black



WALL BRACKET	
Material	Polyamide GF
Order number	D13.231.000 - pure white

List of references

The images in this brochure originate from the following providers:

Titel : 123rf.com

Page 5 : Depositfoto

Page 6 : Shutterstock

Page 8 : IStock, Alamy, Depositfoto

Page 9 : AdobeStock, Alamy, Unsplash,
Masterfile

Product and reference photos from Hauser & Partner Imaging GmbH.

All other photos and graphics originate from Derungs Licht AG and the Waldmann Group.

Center of Expertise for Care & Health:

DERUNGS LICHT AG

Hofmattstrasse 12
9200 Gossau
Switzerland
Phone +41 71 388 11 66
Fax +41 71 388 11 77
www.derungslicht.com
mailbox@derungslicht.com

Derungs Licht AG is a member of the
Waldmann Group.



www.waardenburgmedical.com
info@waardenburgmedical.com

Dorpsstraat 8a
4181 BN Waardenburg

+31(0) 418 651 078
+31(0) 61066 2894

www.waldmann.com