
VISIANO 10-1
THE EXAMINATION LIGHT



VISIANO 10-1

OVERVIEW OF THE MAIN FEATURES.



Timeless, slimline design
with ergonomic handle



Optimized cable connection extends
the swivel range



Diamond cluster optics for bright
homogeneous light



The VISIANO 10-1 is an LED examination light which has been reduced to the essentials but that doesn't mean sacrificing professional light quality. For everyday use, the VISIANO 10-1 will win you over with its excellent illumination intensity and large light field. The sturdy flexible arm ensures positional accuracy and good durability. The sealed construction protects against contamination.

- Professional light quality: thanks to unique diamond optics and premium LEDs, homogeneous light field and high illumination intensity, low-shadow, first-class color rendering (CRI >93)
- Durable, safe and economical: low energy consumption, integrated converter, maintenance free casing, high quality aluminum linkage and durable friction-joints
- Reach suitable for everyday purposes: 280° rotation of the luminaire head, long arm reach
- Certified safety: Medical device according to IEC 60601-1, unique in this class

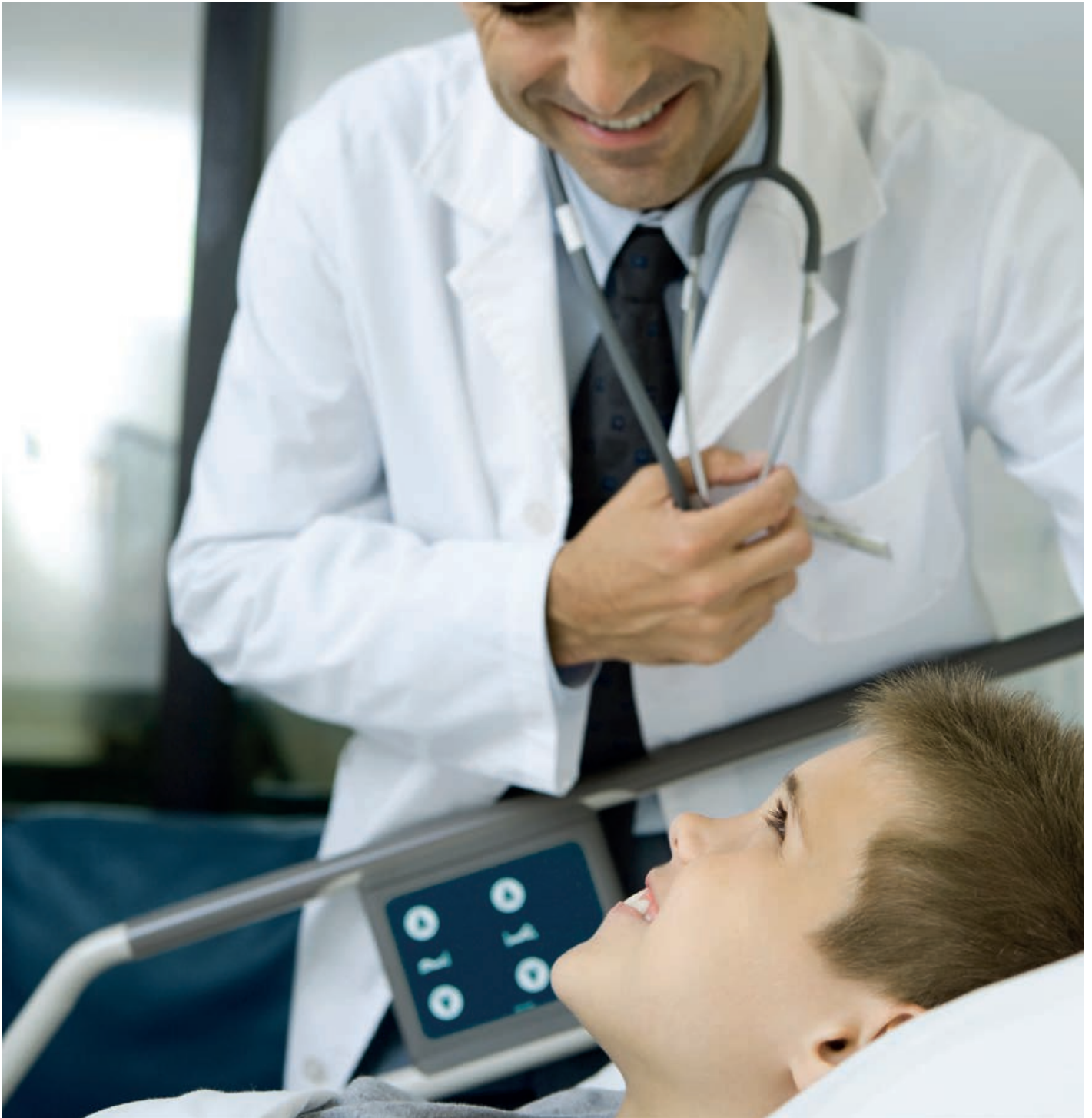


Ø 180 mm
approx. 50,000 lx / 0.5 m

Illumination area

DEFINES THE STANDARD:
BEST LIGHTING.

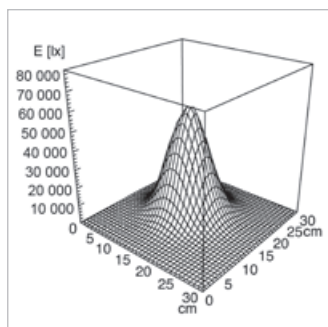
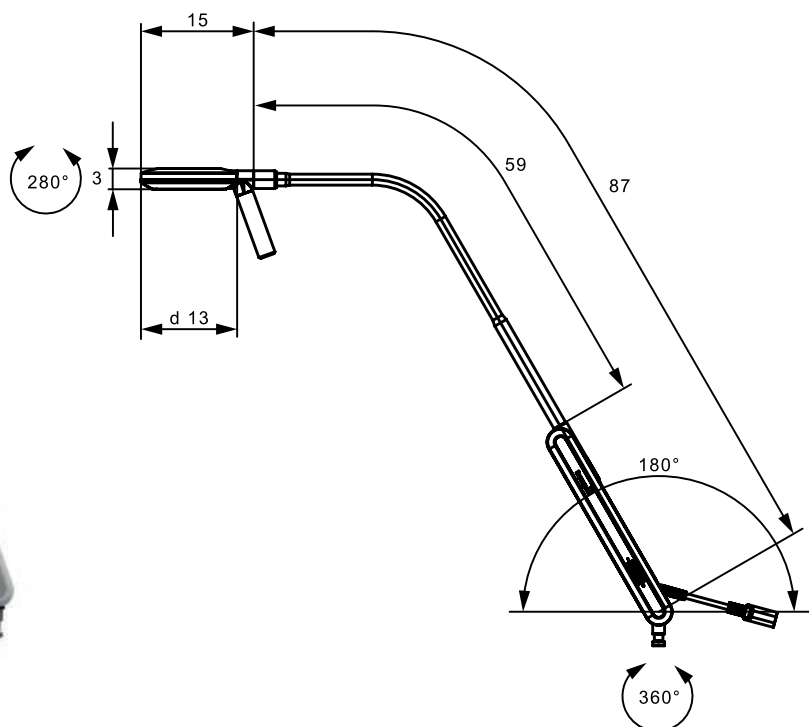




Thanks to the 16 mm pin, the VISIANO 10-1 can be used universally in doctors' surgeries and in the clinical sector. Using the wide range of accessories it can be mounted on a roller stand, on the wall or on a rail. The ergonomic handle and intuitive I/O switch ensure easy handling. The VISIANO 10-1 scores highly in terms of hygiene too, with a smooth surface for easy cleaning.



VISIANO 10-1



VISIANO 10-1

ORDER NO.

VISIANO 10-1 P S10

D15.732.000 - pure white

VISIANO 10-1 compact

- intuitive and ergonomic
- homogeneous, monochrome light field (\varnothing 180 mm, ca. 50,000 lx / 0.5 m)
- universal mounting options
- rotatable luminaire head
- integrated converter
- sealed casing

VISIANO 10-1 technical

| | |
|--------------------------|-----------------------------|
| Illumination intensity | approx. 50,000 lx / 0.5 m * |
| Color temperature | 4,400 K * |
| Illumination field 0.5 m | 180 mm * |
| Light color | approx. 4,400 K |
| Color rendering | CRI > 93 |
| Operation | I/O switch on the arm |
| Standards | IEC 60601-1 |

Features

- ergonomic handle
- Luminaire head can be turned 280°

* -10% / +20% tolerance

ACCESSORIES



| ROLLER STAND | |
|------------------|--|
| Material | Steel |
| Composition | – Tubing: white – Foot: plastic – Casters: plastic double casters, with 5 brakes |
| Dimensions | 1 m, Ø 700 mm |
| Weight (net) | 7.5 kg |
| for stud Ø | 16 mm-W with removal protection with cable suspension device |
| ORDER NO. | D15.595.000 |



| RAIL MOUNTING | |
|------------------|---------------------------------|
| Material | Aluminum |
| Composition | natural anodized |
| Wall rail system | 25-35 x 8-10 mm |
| Weight (net) | 0.16 kg |
| for stud Ø | 16 mm-W with removal protection |
| ORDER NO. | D13.269.000 |

| WALL BRACKET | |
|------------------|---|
| Material | Polyamide GF |
| Weight (net) | 0.14 kg |
| for stud Ø | 16 mm-W with removal protection with cable hole |
| ORDER NO. | D13.231.000 - pure white |



Dorpsstraat 8a
4181 BN Waardenburg

www.waardenburgmedical.com
info@waardenburgmedical.com

+31(0) 418 651 078
+31(0) 61066 2894

Center of Expertise for Care & Health:

DERUNGS LICHT AG

Hofmattstrasse 1
9200 Gossau
Switzerland
Phone +41 71 388 11 66
Fax +41 71 388 11 77
www.derungslicht.com
mailbox@derungslicht.com

Derungs Licht AG is a member of the
Waldmann Group.



www.waldmann.com